

***First Alert***<sup>®</sup>

**Indoor Analog  
Wired Mini Camera  
Model P-500**

USER'S MANUAL



# WELCOME

Thank you for choosing First Alert for your security needs!

For more than half a century, First Alert has made the home-safety and security products that make your job easier. Our products are built to the highest standard which has earned us a leadership role in the home-safety and security product categories. We are committed to serving our customers, from the professionals who install our products, to the families and businesses who count on them. First Alert has been helping families and businesses stay safe for over 50 years. By having a First Alert Security System, you're taking the first step in protecting your home or business from damage or theft. We're watching, even when you're not.

This manual is written for the P-500 Wired Mini Camera. It was accurate at the time it was completed. However, because of our ongoing effort to constantly improve our products, additional features and functions may have been added since that time and on-screen displays may change. We encourage you to visit our website at [www.firstalert.com](http://www.firstalert.com) to check for the latest manuals (English and Spanish), firmware updates, downloads, other security camera products and announcements.

You'll find this product line under Products >> Security Cameras >> Wired Cameras.

©2012 BRK Brands, Inc. All rights reserved. Distributed by BRK Brands, Inc., Aurora, IL 60504. BRK Brands, Inc. is a subsidiary of Jarden Corporation (NYSE: JAH). First Alert® is a registered trademark of the First Alert Trust. Due to continuing product development, the product inside the packaging may look slightly different than the one on the package. To obtain warranty service, contact the Consumer Affairs Division at 1-800-323-9005, Monday through Friday, 7:30 a.m. - 5:00 p.m., Central Standard Time.

Made in China

M08-0253-005

**First Alert**

---

## Table of Contents

<b>Safety</b> .....	<b>1</b>
Safety Precautions .....	1
FCC Compliance .....	1
<b>Getting to Know Your P-500 Camera</b> .....	<b>2</b>
Check Package Contents.....	2
Features.....	2
<b>Setting Up Your P-500 Camera</b> .....	<b>3</b>
General Precautions .....	3
Installing the Camera.....	3
Connecting the Camera to a VCR/DVR and TV .....	4
Viewing the Cameras on Your TV .....	4
<b>Troubleshooting</b> .....	<b>5</b>
<b>Technical Information</b> .....	<b>6</b>
<b>Warranty</b> .....	<b>7</b>
Product Limited Warranty.....	7
Warranty Exclusions .....	7
Obtaining Service .....	8



**SAFETY PRECAUTIONS**

- Do not drop, puncture, or disassemble the camera.
- Never tug on the power adapter. Use the plug to remove it from the wall.
- Do not expose the camera to high temperatures.
- For your own safety, avoid using the camera when there is a storm or lightning.
- Use the device with care. Avoid pressing hard on the camera body.
- Do not crush or damage the power cable.

**FCC COMPLIANCE**

## FCC Compliance Class B Digital Device

This equipment has been tested and found to comply with the limits for a Class B digital device, pursuant to Part 15 of the FCC Rules. These limits are designed to provide reasonable protection against harmful interference in a residential installation. This equipment generates, uses and can radiate radio frequency energy and, if not installed and used in accordance with the instructions, may cause harmful interference to radio communications. However, there is no guarantee that the interference will not occur in a particular installation. If this equipment does cause harmful interference to radio or television reception, which can be determined by turning the equipment off and on, the user is encouraged to try to correct the interference by one or more of the following measures:

- Reorient or relocate the receiving antenna.
- Increase the separation between the equipment and receiver.
- Connect the equipment into an outlet on a circuit different from that of the receiver.
- Consult the dealer or an experienced radio or TV technician for help.

Notice: Only peripherals complying with FCC limits may be attached to this equipment. Operation with non-compliant peripherals or peripherals not recommended by First Alert / BRK Brands, Inc. is likely to result in interference to radio and TV reception. Changes or modifications to the product, not expressly approved by First Alert / BRK Brands, Inc., could void the user's authority to operate the equipment. We, First Alert / BRK Brands, Inc. declare under our sole responsibility that the device to which this declaration relates: Complies with Part 15 of the FCC Rules. Operation is subject to the following two conditions: (1) this device may not cause harmful interference, and (2) this device must accept any interference received, including interference that may cause undesired operation.

## FCC Certification (if applicable)

This device contains a radio transmitter. Accordingly, it has been certified as compliant with 47 CFR Part 15 of the FCC Rules for intentional radiators. Products that contain a radio transmitter are labeled with an FCC ID.

## Getting to Know Your P-500 Camera

*Congratulations on purchasing your First Alert Security Camera product. First Alert has been helping families and businesses stay safe for over 50 years. By having a First Alert Security Camera, you're taking the first step in protecting your home or business from damage or theft. We're watching, even when you're not.*

### CHECK PACKAGE CONTENTS

After unpacking the carton, check the contents for damage. Contact your supplier or dealer immediately if any part is missing or damaged.

- Wired Camera with Stand and 7" Wires (1)
- Power Supply (1)
- Camera Stand (1)
- Mounting Kit (1)
- 18 ft. AV/Power Extension Cable (1)
- User's Manual (1)



### FEATURES

The P-500 security camera is a very simple solution for surveillance at home or business use. With clear picture quality, you will keep your home or other places you want to protect in a highly safety degree by connecting the camera to your security monitor or DVR for convenient monitoring or recording.

- 1/4" CMOS
- 380 TV lines resolution
- 6 mm lens
- 35 degree viewing angle
- Includes audio surveillance capability

## Setting Up Your P-500 Camera

### GENERAL PRECAUTIONS

- Use only the power supply provided with the system.
- Unplug the power supply when the system is not in use for extended periods.
- Do not place any of the equipment near a radiator, vent, or other place where it might be exposed to heat, moisture, dust, vibrations, or strong magnetic fields. If any liquid comes into contact with the camera, turn off the power immediately and have a qualified technician inspect the equipment before using it again.
- Do not attempt to repair the camera. Contact a qualified technician or the dealer for service. Any change or modification may damage the equipment and invalidate the warranty.
- When installing the camera, follow manufacturer's advice when using power tools, steps, ladders, etc. and wear suitable protective equipment (e.g., safety goggles) when drilling holes. Before drilling holes through a ceiling, check for hidden electricity cables and water pipes.

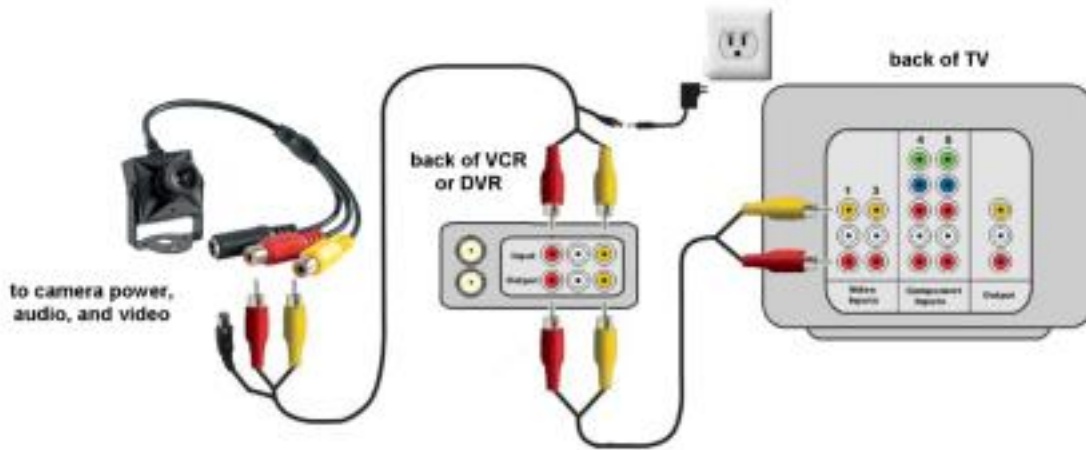
### INSTALLING THE CAMERA

- 1** Remove cover from camera lens. Select the position for the camera and secure the camera stand.  
*Screws and anchors are supplied. Use an appropriate screw type for the mounting surface.*
- 2** Adjust camera to the proper view angle. Make sure the lens is upright relative to your subject. Tighten the set screws.



- 3** Connect the camera to power using the supplied power cable and adapter.

## CONNECTING THE CAMERA TO A VCR/DVR AND TV



- 1 Connect audio and video plugs from the camera to the VCR/DVR. If more length is required, an 18 ft. AV / Power Extension Cable is included.
- 2 Flexible power connection option - Either connect power adaptor directly to camera unit or through extension cable.
- 3 Connect AV cables from the VCR/DVR to the TV.

## VIEWING THE CAMERAS ON YOUR TV

- 1 Power on the camera and TV.
- 2 Using your TV's remote control tune your TV to the correct INPUT (e.g., INPUT1).

*You should now see your images on the TV screen. Follow your manufacturer's instructions to record to your VCR or DVR.*



### TROUBLESHOOTING

<b>Problem</b>	<b>Solution</b>
No picture.	Make sure cover has been removed from camera lens. Make sure the cameras and receiver are plugged in. Make sure the TV/ VCR/ DVR is tuned to the correct input channel.

## Technical Information

Image Device	1/4" CMOS
Video System	NTSC
Resolution	380 TV lines
Effective Pixels	NTSC: 510 (H) x 492 (V)
Lens	6 mm
Viewing Angle	35 degrees
Minimum Illumination	< 2.0 Lux
Signal/Noise Ratio	> 46 dB
White Balance	Automatic
Electronic Shutter Time	1/60 – 1/150,000 sec
Gain Control	Automatic
Backlight Compensation	Yes
Wide Dynamic Range	No
Microphone	Yes
Audio Range	10 ft
Operating Temperature	14°F – 113°F
Power Supply	DC 12V
Indoor/Outdoor	Indoor
Dimensions	1.5" x 1.2" x 1.2"

## PRODUCT LIMITED WARRANTY

BRK Brands, Inc., (“BRK”) the maker of First Alert® brand products warrants that for a period of one year from the date of purchase (the “Warranty Period”), this product will be free from defects in material and workmanship. BRK, at its sole option, will repair or replace this product or any component of the product found to be defective during the Warranty Period. Replacement or repair will be made with a new or remanufactured product or component. If the product is no longer available, replacement may be made with a similar product of equal or greater value. This is your exclusive warranty.

This warranty is valid for the original retail purchaser only from the date of initial retail purchase and is not transferable. In order to obtain warranty service, you must keep the original sales receipt and proof of purchase in the form of the UPC code from the package. BRK dealers, service centers, or retail stores selling BRK products do not have the right to alter, modify or any way change the terms and conditions of this warranty.

## WARRANTY EXCLUSIONS

Parts and Labor: 1 year limited (warranted parts do not include bulbs, LEDs, and batteries)

This warranty does not apply to bulbs, LEDs, and batteries supplied with or forming part of the product.

This warranty is invalidated if non- BRK accessories are or have been used in or in connection with the product or in any modification or repair is made to the product.

This warranty does not apply to defects or damages arising by use of the product in other than normal (including normal atmospheric, moisture and humidity) conditions or by installation or use of the product other than in strict accordance with the instructions contained in the product owner’s manual.

This warranty does not apply to defects in or damages to the product caused by (i) negligent use of the product, (ii) misuse, abuse, neglect, alteration, repair or improper installation of the product, (iii) electrical short circuits or transients, (iv) usage not in accordance with product installation, (v) use of replacement parts not supplied by BRK, (vi) improper product maintenance, or (vii) accident, fire, flood or other Acts of God.

This warranty does not cover the performance or functionality of any computer software included in the package with the product. BRK makes no warranty that the software provided with the product will function without interruption or otherwise be free of anomalies, errors, or “Bugs.” This warranty does not cover any costs relating to removal or replacement of any product or software installed on your computer.

BRK reserves the right to make changes in design or to make additions to or improvements in its products without incurring any obligations to modify any product which has already been manufactured. BRK will make every effort to provide updates and fixes to its software via its website. This warranty does not cover any alteration or damage to any

other software that may be or may become resident on the users system as a result of installing the software provided. This warranty is in lieu of other warranties, expressed or implied, and BRK neither assumes nor authorizes any person to assume for it any other obligation or liability in connection with the sale or service of the product. In no event shall BRK be liable for any special or consequential damages arising from the use of the product or arising from the malfunctioning or non-functioning of the product, or for any delay in the performance of this warranty due to any cause beyond its control.

BRK does not make any claims or warranties of any kind whatsoever regarding the product's potential, ability, or effectiveness to prevent, minimize, or in any way affect personal or property damage or injury. BRK is not responsible for any personal damage, loss, or theft related to the product or to its use for any harm, whether physical or mental related thereto. Any and all claims or statements, whether written or verbal, by salespeople, retailers, dealers, or distributors to the contrary are not authorized by BRK, and do not affect this provision of the warranty.

BRK's responsibility under this, or any other warranty, implied or expressed, is limited to repair, replacement or refund, as set forth above. These remedies are the sole and exclusive remedies for any breach of warranty. BRK is not responsible for direct, special, incidental, or consequential damages resulting from any breach of warranty or under any other legal theory including but not limited to, loss profits, downtime, goodwill, damage to or replacement of equipment and property and any costs of recovering, reprogramming or reproducing any program or data stored in or used with a system containing the product accompanying software.

BRK does not warrant the software will operate with any other software except that which is indicated. BRK cannot be responsible for characteristics of their party hardware or software which may effect the operation of the software included.

Except to the extent prohibited by applicable law, any implied warranty of merchantability or fitness for a particular purpose is limited in duration to the duration of the above Warranty Period. Some states, provinces, or jurisdictions do not allow the exclusion or limitation of incidental or consequential damages or limitations on how long an implied warranty lasts, so the above limitations or exclusion may not apply to you. This warranty gives you specific legal rights, and you may also have other rights that vary from state to state, or province to province, or jurisdiction to jurisdiction.

## **OBTAINING SERVICE**

If service is required, do not return the product to your retailer. In order to obtain warranty service, contact the Consumer Affairs Division at 1-800-323-9005, 7:30 a.m. – 5:00 p.m. Central Standard Time, Monday through Friday. To assist us in serving you, please have the model number and date of purchase available when calling.

After contacting the Consumer Affairs Division and it is determined that the product should be returned for Warranty Service, please mail the product to: BRK Brands, Inc., 3901 Liberty Street Road, Aurora, IL 60504-8122.