

Honeywell

EN Portable Air Conditioner
User Manual

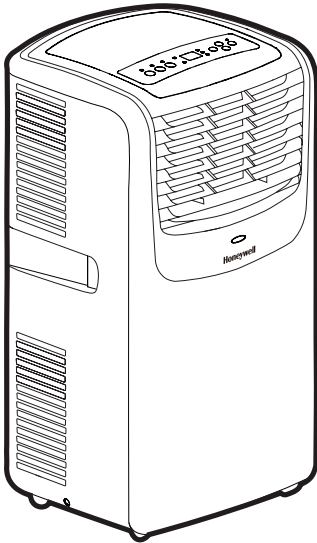
Read and save these instructions before use

FR Climatiseur portatif
Mode d'emploi

Lire ces consignes avant l'utilisation de l'appareil et les conserver

ES Aire Acondicionado Portátil
Manual del Propietario

Lea y guarde estas instrucciones antes de usar la unidad



Model / Modèle / Modelo:
MO Series / Série / Serie

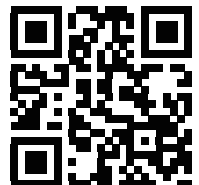
Customer Support:
Assistance Au Client:
Servicio de atención a clientes:
USA/ EE.UU: 1-800-474-2147
CANADA/ CANADÁ^ : 1-888-209-0999

^ Canada Customer Support service available for models sold in Canada only.

^ Le Service Client Canadien est disponible uniquement pour les modèles vendus sur le territoire Canadien.

^ Servicio de Atención A Clientes en Canadá disponible solo para modelos vendidos en Canadá.

www.jmatek.com
Email: usinfo@jmatek.com



READ AND SAVE THESE INSTRUCTIONS

IMPORTANT SAFETY INSTRUCTIONS. READ CAREFULLY AND KEEP FOR FUTURE REFERENCE. IN CASE THERE IS ANY INCONSISTENCY OR CONFLICT BETWEEN THE ENGLISH VERSION AND ANY OTHER LANGUAGE VERSION OF THE CONTENT OF THIS MATERIAL, THE ENGLISH VERSION SHALL PREVAIL.

WARNING:

- DO NOT operate the unit with a damaged plug or loose wall outlet. If the supply cord is damaged, it must be replaced by the manufacturer, its service agent or similarly qualified persons in order to avoid a hazard.
- DO NOT cover the air intake and exhaust when in use.
- DO NOT place objects on or sit on the unit.
- Always turn off and unplug the unit when cleaning or servicing.
- DO NOT use the appliance if it is damaged.
- If service is needed contact an authorized service agent.
- Unplug the unit when stored or not in use.
- DO NOT pull or carry the appliance by the power cord.
- DO NOT pinch the wire in the door and DO NOT pull it along edges or sharp corners.
- DO NOT run the power cord under carpeting and rugs.
- Use caution to prevent tripping on cord.
- DO NOT use the device in the following cases:
 - Near a fire source
 - In areas where gasoline, paint or other flammable goods are stored
 - In an area where the water can be projected
- DO NOT touch the plug or the device with wet hands.
- Basic safety precautions should always be followed when using electrical appliances.

SAFETY (CONTINUED)

- This appliance has been manufactured for use in domestic environments and should not be used for other purposes.
- Only use the installation kit provided to install this unit. DO NOT attempt to extend the exhaust hose or install this unit using other methods other than that shown in this manual. Improper installation will void any existing warranties.
- DO NOT use an extension cord with this unit.
- This appliance can be used by children aged from 8 years and above, and persons with reduced physical, sensory or mental capabilities or lack of experience and knowledge if they have been given supervision or instruction concerning use of the appliance in a safe way and understand the hazards involved. Children shall not play with the appliance. Cleaning and user maintenance shall not be made by children without supervision.
- Never insert your fingers or rods into the air outlet. Take special care to warn children of these dangers.
- The manufacturer is not liable for injury caused to persons or property damage due to non-compliance with maintenance instructions and improper use of the appliance.
- The appliance shall be installed in accordance with national wiring regulations.
- The appliance is not to be used by persons (including children) with reduced physical, sensory or mental capabilities, or lack of experience and knowledge, unless they have been given supervision or instruction.
- Children should be supervised to ensure that they do not play with the appliance.

THANK YOU

Congratulations on your purchase of this Honeywell Portable Air Conditioner.

Regarding the information pertaining to the installation, handling, servicing, cleaning and disposal of the appliance, please refer to the below paragraph of the manual.

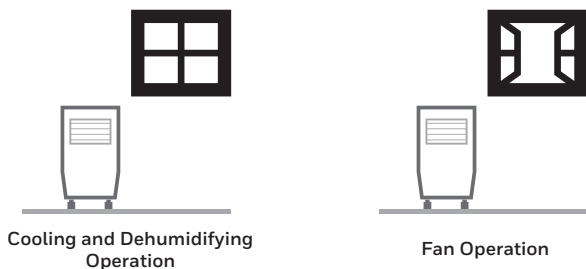
USER TIPS

Portable Air Conditioners are ideal for spot cooling. The compressor, condenser and evaporator are housed in a compact unit. The air is dehumidified and cooled while a flexible exhaust hose sends heat outside. The air conditioner includes a window venting kit.

No permanent installation is needed. The unit is easy to move from room to room and offers a truly flexible air conditioning solution.

Auto Evaporation System - The unit automatically evaporates the condensate through the exhaust hose. There is no need to empty the drainage tank except in very humid conditions. Read and follow the instructions carefully.

To ensure optimal efficiency of the product, keep doors and windows closed when it is used as an air conditioner or dehumidifier. If the product is being used with the fan function only, an open window could improve air circulation.

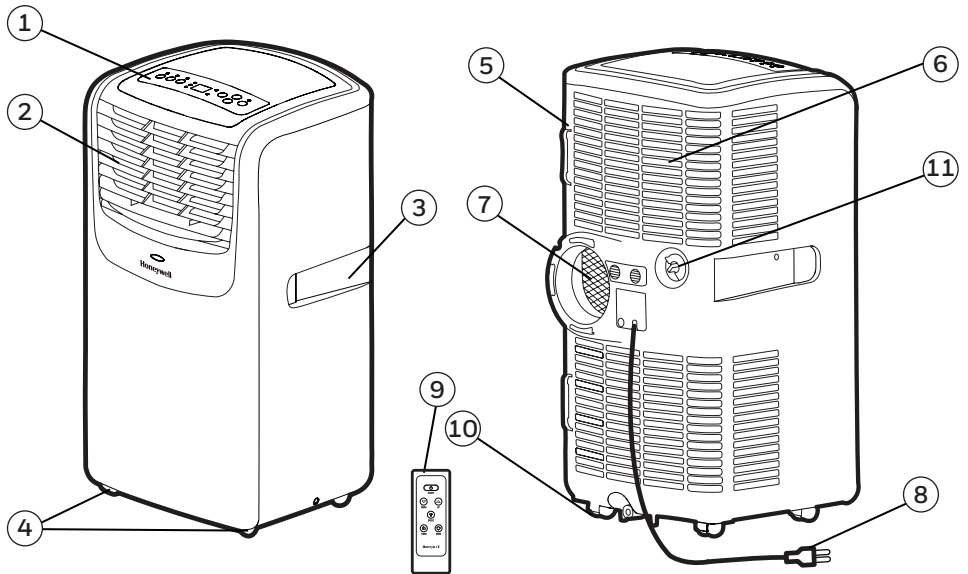


Important:

Before installing the unit, place it UPRIGHT for 1 hour before use to allow the refrigerant to stabilize. Manually adjust the air vent located at the front of the unit to adjust the direction of air flow.

- Follow installation instructions to set up the unit.
- Plug the unit into a properly grounded circuit. DO NOT plug into an extension cord.

PARTS DESCRIPTION



1) Control Panel
(Incl. Signal Receptor)

2) Air Outlet

3) Handle

4) Casters

5) Dust Filter

6) Back Grill

7) Exhaust Hose Connector

8) Power Supply Cord

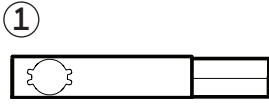
9) Remote Control

10) Lower Rubber Drain Plug
(Air Conditioning Mode)

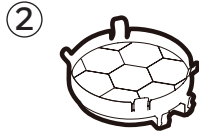
11) Upper Rubber Drain Plug
(Dehumidifier Mode)

INSTALLATION

It is important that the installation instructions below are followed for successful installation of this Portable Air Conditioner. Please call Customer Support if you have any difficulties or queries regarding these installation procedures.



x1



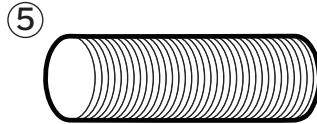
x1



x1



x1



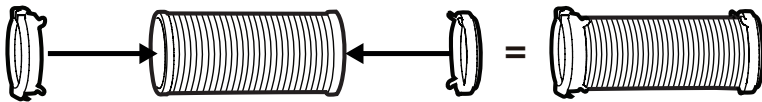
x1

Installation Kit:

- | | | | |
|---------------------------------|-----------|-----------------|-----------|
| 1. Window Bracket Kit | (1 Set) | 4. Hole Cover | (1 Piece) |
| 2. Window Bracket Panel Adapter | (1 Piece) | 5. Exhaust Hose | (1 Piece) |
| 3. Exhaust Hose Connector | (1 Piece) | | |

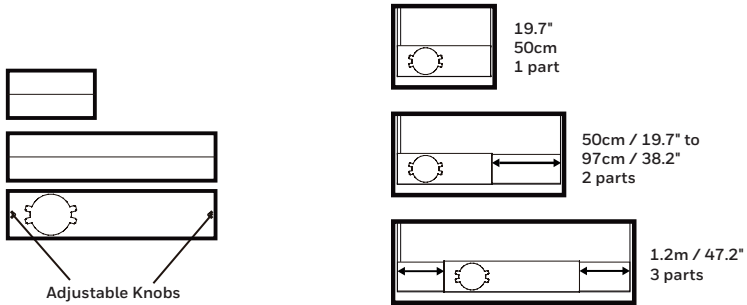
Installation Steps:

1. Install the exhaust hose with window bracket adapter and exhaust hose connector on both sides. Ensure proper fit on both ends.




INSTALLATION (CONTINUED)

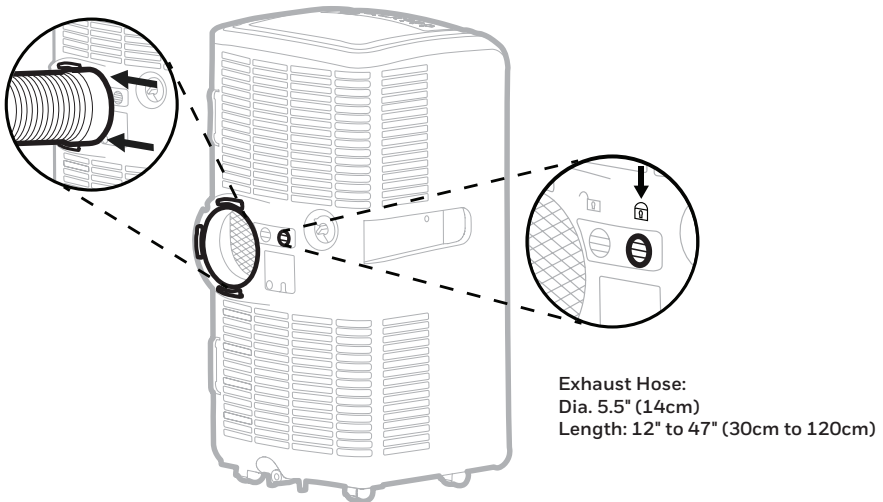
2. The Window Brackets are approximately 50 cm / 19.7 inches each, allowing you to install to windows and balcony doors of different heights or width.



To install the window bracket to the window frame, you need to adjust the height or width of the window bracket by extending the length according to the height or width of the window. When the length is set, tighten the Adjustable Knobs (preinstalled on the window bracket) to ensure the window bracket is secured in the desired position. Use one or all two pieces of window bracket as needed.

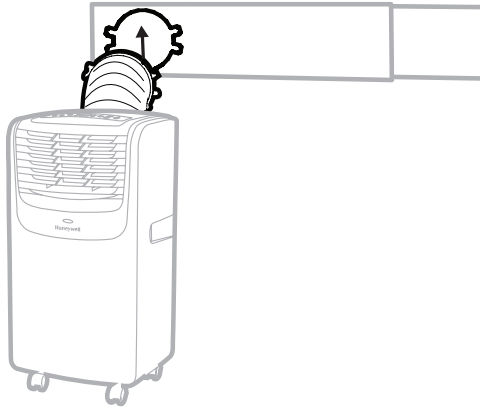
Note: After setting the window bracket to the size of your window, please remove it from the window and follow the instructions below.

3. Connect the exhaust hose to the exhaust hose connector on back of the unit. Slide-in the exhaust hose connector. Press the  button to lock the exhaust hose connector in place.

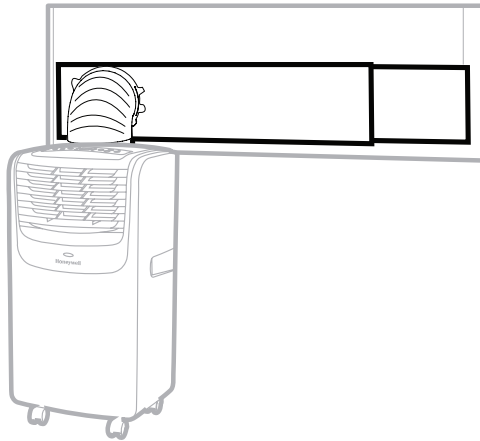


INSTALLATION (CONTINUED)

4. Connect the window bracket to the window bracket panel adapter. Ensure that all connections are tight and installed properly.



5. Connect the window bracket to the window.

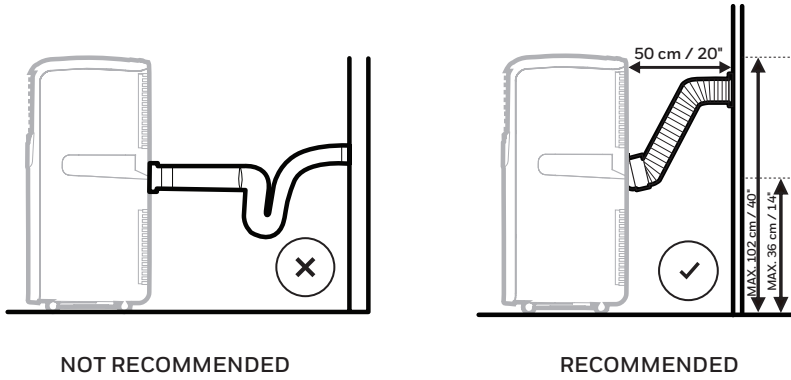


6. The Portable Air Conditioner is now ready to use.

INSTALLATION (CONTINUED)

Important:

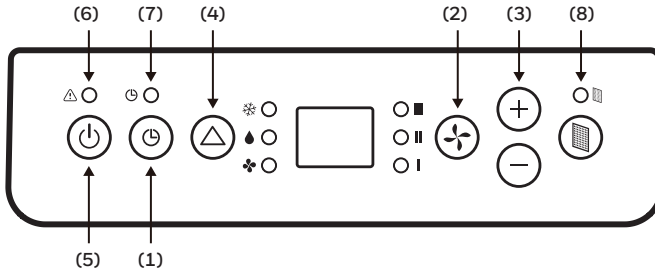
Do not replace or lengthen the exhaust hose as this could cause the unit to malfunction.



WARNING: Any warranties included with this product will be voided if an extra extension hose is added to the originally provided installation kit or if the installation is performed differently than the manufacturer's instructions, without proper consultation. Please contact Customer Support for help with installation procedures if needed.

- The supplied exhaust hose has a diameter of 5.5 inches (14 cm) and can be extended from 12 inches to 47 inches (30 cm to 120 cm).
- Do not bend (to the extent shown below) the exhaust hose. A bent hose will block exhaust air and cause the unit to malfunction or shut-off.
- Make sure the back of the unit is at least 50 cm / 20 inches away from the wall. Do not place the unit in front of curtains or drapes as this could obstruct the airflow.

CONTROL PANEL



- | | | |
|-------------------------------------|----------------------------------|-----------------|
| 1) Timer Control | 4) Mode Control | 7) Timer Light |
| 2) Fan Speed Control | 5) Power Control / Standby Mode | 8) Filter Alert |
| 3) Timer / Temperature Set Controls | 6) Warning Light (when flashing) | |

FUNCTION BUTTONS


POWER CONTROL

The Power Control turns the unit on and off. When the unit is plugged in, this button lights up indicating it is in a Standby Mode ready to be switched on anytime.

TIMER CONTROL

While the unit is turned on, press the timer button then press the + or - to select the number of hours you would like the unit to continue to run. The unit will turn off automatically.

AUTO TURN OFF:

While unit is running, press  the button and the display will flash. While the display is flashing, press the + or - button to select the number of hours you want the unit to turn OFF automatically.

AUTO TURN ON:

When unit is in a standby mode (plugged in with power light on), then press the + or - button to select the number of hours until you want the unit to automatically start running.

FUNCTION BUTTONS (CONTINUED)

TEMPERATURE / TIMER SET CONTROLS

- Used for adjusting the timer and thermostat.
- The default display is setting temperature.
- In cooling mode, when + or - button is pressed, the set temperature is displayed and may be adjusted. After 10 seconds the display will revert back to room temperature. Temperature is only adjustable in cool mode. The time is adjustable between 1 - 24 hours.
Note: By pressing both + or - buttons at the same time, the display will toggle between Celsius(°C) and Fahrenheit(°F).

WARNING LIGHT

Condensation may accumulate in the unit.

If the internal tank becomes full, the Power Control light will flash and the unit will not operate until the unit has been drained (refer to Water Condensation Drainage).




After switching the air conditioner off, you must wait 3 minutes before switching it back on again.

FUNCTION BUTTONS (CONTINUED)

MODE CONTROL

Settings: Air Conditioning, Dehumidifying, Fan.

The corresponding indicator light will illuminate to indicate the current mode setting.

- Air Conditioning Mode 
Adjust fan speed and air temperature to suit your desired comfort level.
Temperature setting range is 16°C - 32°C (61°F - 89°F).
- Dehumidifying Mode 
Air is dehumidified as it passes through the unit, without being in full cooling mode.
If room temperature is higher than 25°C (77°F) fan speed can be adjusted; otherwise fan speed is preset to LOW.
Note: If the unit will be used mainly as a dehumidifier, do not connect the exhaust hose.
Continuous drainage is then necessary (refer to Continuous Draining for Dehumidifier Mode).
- Fan Mode 
For air circulation without air conditioner cooling.

FAN SPEED CONTROL

Applicable for model MO08 Series: High and Low.

Applicable for model MO10 Series: High, Medium and Low.

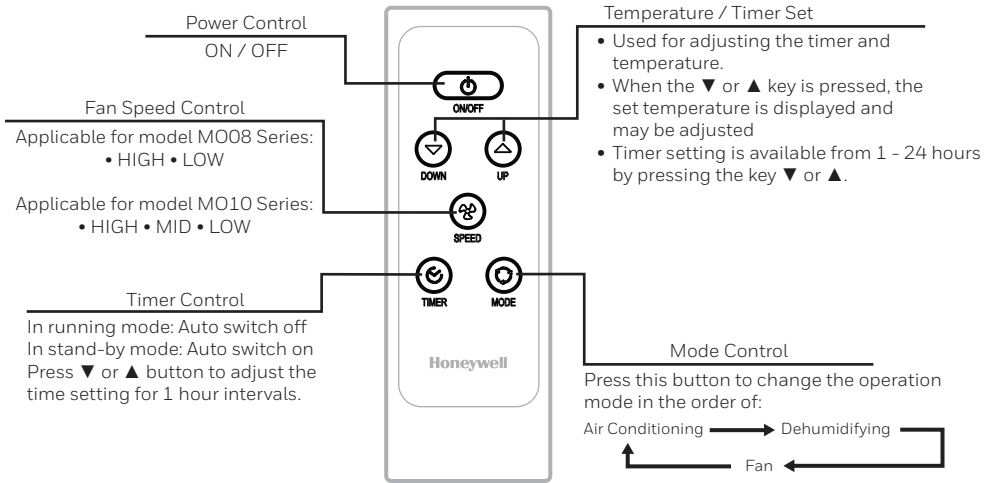
FILTER ALERT

When the Filter Alert Light is ON, it is time to clean the filter. Switch the air conditioner OFF and carefully remove the filter from the unit and clean. Replace the filter and switch ON the air conditioner.

The Filter Alert Light should not be illuminated until the filter requires cleaning again. The frequency of filter cleaning depends on room environment conditions. Some rooms may require changing more frequently than others.

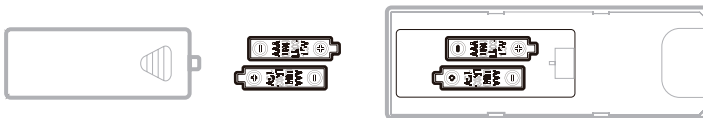
REMOTE CONTROL

The functions work the same as the Portable Air Conditioner's Control Panel. All key functions can be accessed from the remote control.



Note:

- Battery Installation: Remove the cover on the back of the remote control and insert two AAA batteries with + and - pointing in the proper direction according to the polarity markings.



Caution:

- Use only two AAA or IEC R03 1.5V batteries.
- Remove the batteries if the remote control is not in use for a month or longer.
- All batteries should be replaced at the same time, do not mix with old batteries.
- Do not mix alkaline, standard (carbon-zinc) or rechargeable (nickel-cadmium) batteries.
- Properly dispose of used batteries.

This device complies with part 15 of the FCC Rules. Operation is subject to following two conditions: (1) this device may not cause harmful interference, and (2) this device must accept any interference received, including interference that may cause undesired operation.

This equipment has been tested and found to comply with the limits for a Class B digital device, pursuant to part 15 of the FCC Rules. These limits are designed to provide reasonable protection against harmful interference in a residential installation. This equipment generates, uses and can radiate radio frequency energy and, if not installed and used in accordance with the instructions, may cause harmful interference to radio communications. However, there is no guarantee that interference will not occur in a particular installation. If this equipment does cause harmful interference to radio or television reception, which can be determined by turning the equipment off and on, the user is encouraged to try to correct the interference by one or more of the following measures:

- Reorient or relocate the receiving antenna.
- Increase the separation between the equipment and the receiver.
- Connect the equipment into an outlet on a circuit different from that to which the receiver is connected.
- Consult the dealer or an experienced radio/ TV technician for help.

Caution: Any changes or modifications not expressly approved by the party responsible for compliance could void the user's authority to operate the equipment.

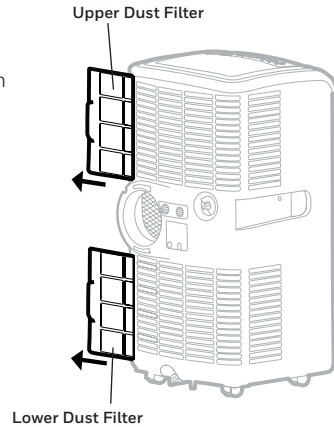
Appliance Maintenance:

1. Turn off the appliance before disconnecting the power supply.
2. Only clean the appliance with a soft dry cloth.

Dust Filter Maintenance:

The dust filter is to be cleaned every two weeks to maintain air cooling efficiency. Please follow the below instructions for cleaning the dust filters:

1. Turn off the appliance and remove the upper and lower dust filters.
2. Rinse it in lukewarm water. After cleaning, dry in a shaded and cool place, then reinstall.



End of Season Storage & Maintenance:

If the appliance will not be used for a long time, follow these steps:

1. Be sure to drain the left-over water condensation. Remove the lower drain plug and use a shallow pan to collect the water (make sure to replace the drain plug when finished).
2. To dry excess moisture, run the unit in Fan only mode for 30 minutes before storing.
3. Turn off and unplug the air conditioner from the power supply.
4. Remove the dust filter and clean with water. Dry the dust filter and then reinstall.
5. Disconnecting the Window Installation Kit:
 - Remove the Exhaust Hose from the unit by pressing the release button located on the right side of the Hose and then sliding the Hose to the right side.
 - Remove the Window Bracket, Window Bracket Panel Adapter and Exhaust Hose Connector.
 - It is recommended to store the Window Kit parts in a bag together with the Remote Control and placing them together with the air conditioner unit.
 - If needed, you can clean the Window Kit with a damp cloth and water before storing. Make sure all parts of the Window Kit are dry before storage.
6. Cover the air conditioner with a cloth/plastic bag before storage, to protect from dust and scratches collecting on the surface of the unit.
7. It is recommended to coil the power cord before storing to ensure the cord is protected from bents and creases.
8. Store the air conditioner in a cool, dry place, away from direct sunlight.

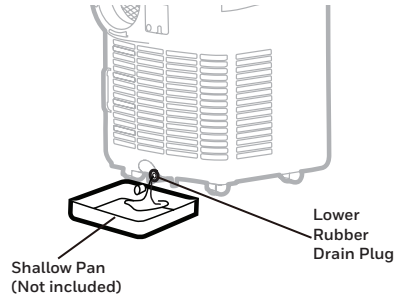
WATER CONDENSATION DRAINAGE

When there is excess water condensation inside the unit, the air conditioner stops running and shows a warning light (the Power Control button flashes with a red light). This warning light indicates that the water condensation needs to be drained using the following procedures:

Manual Draining for AC & Dehumidifier Mode

Water may need to be drained in high humidity areas.

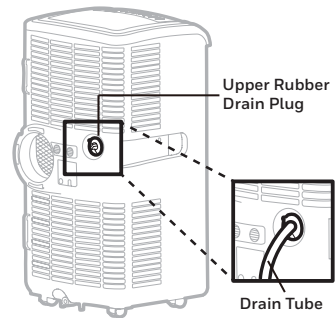
1. Unplug the unit from power source.
2. Place a shallow pan under the lower rubber drain plug. See diagram.
3. Remove the lower rubber drain plug.
4. Water will drain out and collect in the shallow pan.
5. After the water is drained, replace the lower rubber drain plug firmly.
6. You can now turn on the unit.



Continuous Draining for Dehumidifier Mode

While using the unit in dehumidifier mode, continuous drainage is recommended.

1. Unplug the unit from power source.
2. Remove the upper/lower rubber drain plug. Some residual water may spill so please have a pan to collect the water. See diagram.
3. Connect the drain connector to a $\frac{3}{4}$ " hose or standard garden hose (not included).
4. The water can be continuously drained through the drain tube into a floor drain or bucket.
5. Replace the drain plug.
6. You can now turn on the unit.



TROUBLESHOOTING GUIDE

The following troubleshooting guide addresses the most common problems. If problems persist, call customer support. Unplug and disconnect the appliance from the power source before attempting to troubleshoot.

PROBLEM	POSSIBLE CAUSE	SOLUTION
The air conditioning unit does not start	No electricity.	Check for power.
	Batteries in the remote control need to be replaced.	Change remote control batteries.
	The power cord is not properly plugged in.	Remove and reconnect the power cord.
	The safety LCDI plug has tripped (USA / Canada / Mexico only).	Reset the safety LCDI plug, if problem persists contact our customer support (USA / Canada / Mexico only).
Runs a short while only	The thermostat temperature setting is too close to room temperature.	Lower the set temperature.
	Air outlet is blocked.	Make sure the exhaust hose is properly connected.
	There are tight bends in the air exhaust hose.	Connect exhaust hose as per instructions on page 3.

TROUBLESHOOTING GUIDE (CONTINUED)

PROBLEM	POSSIBLE CAUSE	SOLUTION
Runs but not cooling	A door or window is open.	Make sure the window or door is closed.
	The dust filter is dirty.	Clean the dust filter.
	The exhaust hose is detached.	Reinstall exhaust hose properly (refer to Installation section).
	Temperature setting is too high.	Reduce temperature setting on control panel.
	Air outlet or intake is blocked.	Remove blockage.
	Room exceeds recommended size.	Move unit to smaller room.
	Large size or number of windows are decreasing cooling effectiveness.	Cover windows with curtains or blinds.
Will not run and Power button is blinking (water full indicator)	Excess water condensation inside the tank.	Drain the water (refer to Water Condensation Drainage).

LIRE ET CONSERVER CES CONSIGNES

UNE MAUVAISE MANIPULATION PEUT CAUSER DE SÉRIEUX DOMMAGE AUX PERSONNES ET À L'APPAREIL. EN CAS D'INCOHÉRENCE OU DE CONFLIT ENTRE LA VERSION ANGLAISE ET TOUT AUTRE VERSION LINGUISTIQUE DU CONTENU DE CE MATÉRIEL, LA VERSION ANGLAISE PRÉVAUDRA.

AVERTISSEMENT:

- NE PAS utiliser l'appareil avec une prise endommagée ou une prise murale mal fixée. Si le cordon d'alimentation est endommagé, il doit être remplacé par le fabricant, son service après-vente ou une personne de qualification similaire, afin d'éviter tout danger.
- NE PAS couvrir la prise, ni l'évacuation d'air pendant l'utilisation.
- NE PAS placer d'objets sur l'appareil, ni s'asseoir dessus.
- Toujours éteindre et débrancher l'appareil au moment du nettoyage ou de l'entretien.
- N'utilisez pas l'appareil si ce dernier est endommagé.
- Pour toute réparation, communiquer avec un agent de service autorisé.
- Débrancher l'appareil lorsqu'il est entreposé ou inutilisé.
- Ne tirez et ne portez pas l'appareil par le cordon d'alimentation.
- Ne coinciez pas le fil dans la porte et ne le tirez pas le long de bords ou angles acérés.
- NE PAS faire passer le cordon électrique sous la moquette ou le recouvrir avec un tapis.
- Faire preuve de prudence pour éviter de trébucher sur le cordon.

- Ne pas utiliser l'appareil dans les cas suivants:
 - Près d'une source de feu
 - Dans les zones où de l'essence, de la peinture ou d'autres produits inflammables sont stockées
 - Dans une zone où de l'eau peut être projetée
- Ne manipulez ni l'appareil, ni la prise avec les mains mouillées.
- Des précautions de sécurité doivent toujours être suivies lors de l'utilisation d'appareils électriques.
- Cet appareil a été fabriqué pour être utilisé en milieu domestique et ne doit pas être utilisé à d'autres fins.
- N'utiliser que le kit d'installation fourni pour cet appareil. NE PAS tenter de prolonger le tuyau d'évacuation ou d'installer cet appareil en recourant à d'autres méthodes que celles indiquées dans ce manuel. Une installation inadéquate peut annuler toutes les garanties existantes.
- NE PAS utiliser une rallonge électrique avec cet appareil.
- Cet appareil peut être utilisé par des enfants âgés de 8 ans et plus, ainsi que des personnes ayant des capacités réduites au niveau physique, sensoriel ou mental, ou un manque d'expérience et de connaissances si ils ont été supervisés ou instruits à propos de l'utilisation de l'appareil de manière sûre et s'ils ont compris les risques encourus. Les enfants ne doivent pas jouer avec l'appareil. Le nettoyage ou la maintenance ne devra pas être effectuée par des enfants, sauf si ces derniers sont âgés de plus de 8 ans et s'ils sont supervisés.

SÉCURITÉ (SUITE)

- Ne mettez jamais vos doigts ou des objets dans la prise d'air. Faites attention à prévenir les enfants de ces dangers.
- Le fabricant décline toute responsabilité en cas de blessure causée à des personnes ou de dégât matériel dus à la nonobservation des instructions d'entretien et à l'usage inadéquat de l'appareil.
- L'appareil sera installé en conformité avec les réglementations nationales sur le câblage.
- L'appareil ne doit pas être utilisé par des personnes (y compris des enfants) dont les capacités physiques, sensorielles ou mentales sont réduites, ou qui n'ont pas l'expérience ou les connaissances nécessaires, sauf si elles bénéficient d'une surveillance ou ont reçu des instructions.
- Surveiller les enfants pour s'assurer qu'ils ne jouent pas avec l'appareil.

Nous vous félicitons d'avoir acheté ce climatiseur portable polyvalent de Honeywell.

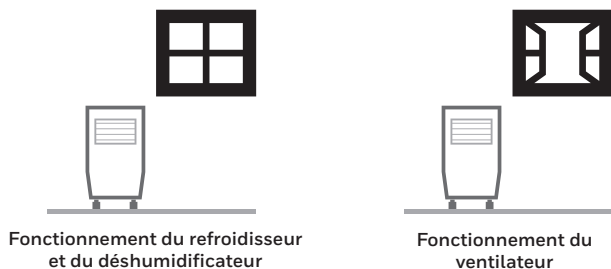
En ce qui concerne les informations pour l'installation, la manipulation, l'entretien, le nettoyage et la mise au rebut de l'appareil, référez-vous aux paragraphes ci-après de la notice.

CONSEILS D'UTILISATION

Les climatiseurs portatifs de Honeywell sont idéaux pour le refroidissement localisé. Le compresseur, le condenseur et l'évaporateur sont logés dans une enceinte compacte. L'air est filtré, déshumidifié et refroidi tandis qu'un tuyau de sortie d'air souple évacue la chaleur à l'extérieur. Le climatiseur comprend une trousse d'évacuation pour fenêtre. Aucune installation permanente n'est requise. L'appareil est facile à déplacer de pièce en pièce et offre une solution de climatisation véritablement flexible.

Système d'évaporation automatique - Le dispositif évacue automatiquement la chaleur par le tuyau de sortie d'air. Sauf en présence d'une humidité très élevée, la vidange du réservoir n'est pas requise. Lire attentivement les consignes et les suivre minutieusement.

Pour assurer l'efficacité optimale du produit, garder les portes et les fenêtres fermées quand il est utilisé comme climatiseur ou déshumidificateur. Si seule la fonction de ventilation du dispositif est en marche, ouvrir une fenêtre pourrait améliorer la circulation de l'air.

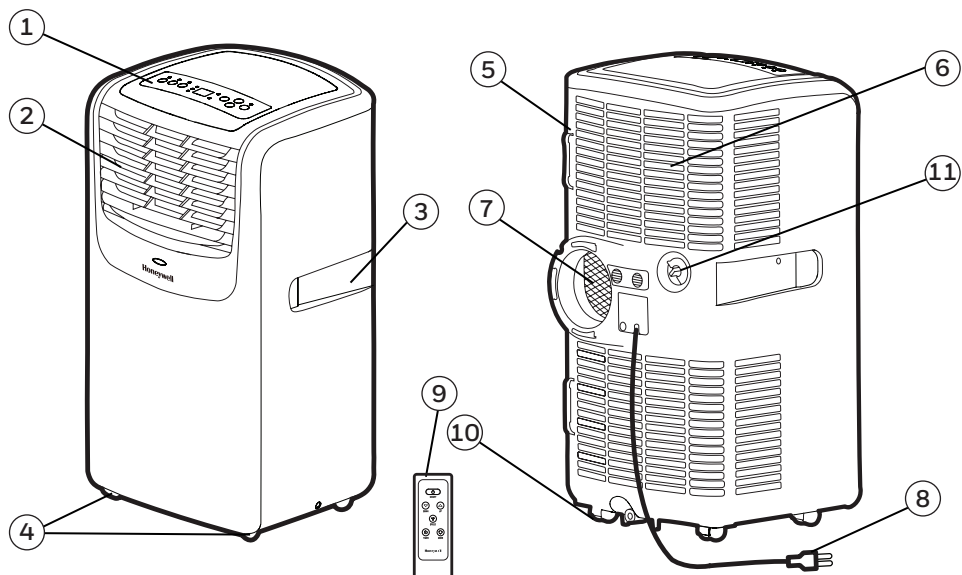


Important:

Avant d'installer l'appareil, placez le en position verticale 1 heure avant de l'utiliser pour permettre au réfrigérant de se stabiliser. Ajustez manuellement le ventilateur localisé à l'avant de l'appareil afin d'ajuster la direction du flux d'air.

- Suivre les consignes d'installation de l'appareil.
- Brancher l'appareil à un circuit mis à la terre. NE PAS brancher au moyen d'une rallonge électrique.

DESCRIPTION DES PIÈCES



1) Panneau de commande
(récepteur de signaux compris)

2) Sortie d'air

3) Poignée

4) Roulettes

5) Filtre à saupoudrer

6) Grillage arrière

7) Raccord du tuyau d'évacuation

8) Cordon d'alimentation

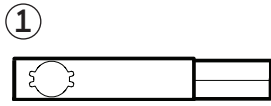
9) Télécommande

10) Capuchon de plastique et bouchon
de vidange (mode climatisation)

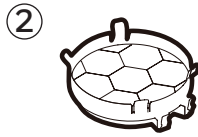
11) Bouchon de vidange supérieur
(mode déshumidification)

INSTALLATION

Il est important que les consignes d'installation ci-dessous soient respectées pour réussir l'installation de ce climatiseur portatif. Si vous éprouvez des difficultés ou avez des questions concernant ces procédures d'installation, veuillez communiquer avec notre service à la clientèle.



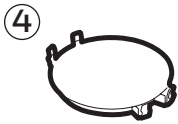
x1



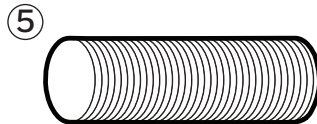
x1



x1



x1



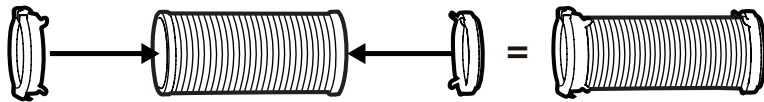
x1

Kit d'installation:

- | | | | |
|--|-----------|-----------------------------|-----------|
| 1. Trousse de supports pour fenêtre | (1 jeu) | 4. Couvercle pour l'orifice | (1 pièce) |
| 2. Adaptateur de support de fenêtre pour panneau | (1 pièce) | 5. Tuyau d'échappement | (1 pièce) |
| 3. Raccord de tuyau | (1 pièce) | | |

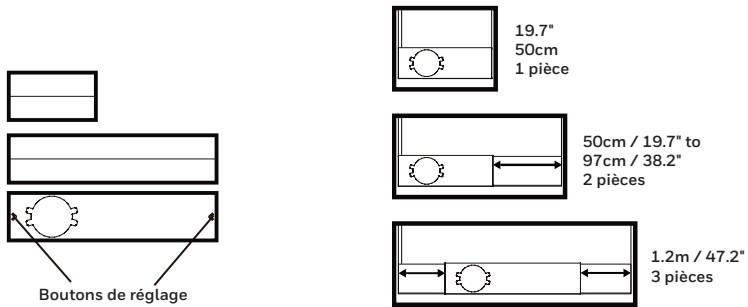
Étapes de l'installation:

1. Installez le tuyau d'échappement avec l'adaptateur de support de fenêtre et le raccord de tuyau sur les deux côtés. Veillez à ce qu'il soit bien fixé aux deux extrémités.



INSTALLATION (SUITE)

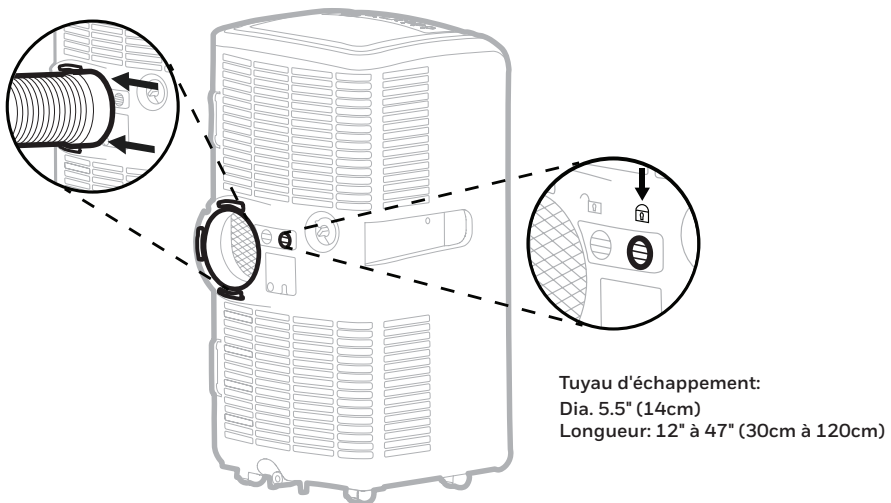
2. Les supports de fenêtre mesurent environ 50 cm (19.7 po), ce qui permet l'installation dans des fenêtres et des portes de balcon de différentes hauteurs ou largeurs.



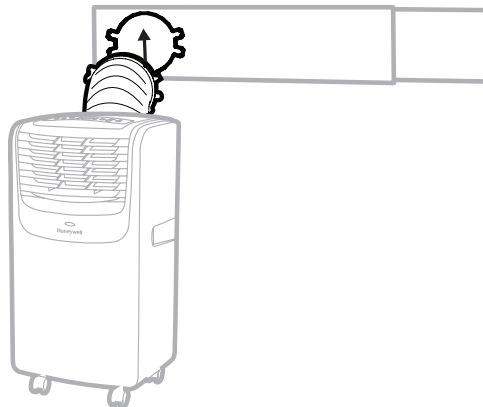
Pour installer le support de fenêtre à son châssis, il faut régler la hauteur ou la largeur du support de fenêtre en adaptant la longueur en fonction de la hauteur ou de la largeur de la fenêtre ou de la porte du balcon. Une fois la longueur réglée, serrer les vis à oreilles (préinstallées sur le support de la fenêtre) pour faire en sorte que le support de la fenêtre soit fixé dans la position souhaitée. Utiliser une seule pièce du support de fenêtre ou les trois s'il y a lieu.

Remarque: Après avoir réglé le support de fenêtre à la taille de votre fenêtre, il convient de l'en retirer et de suivre les instructions ci-dessous.

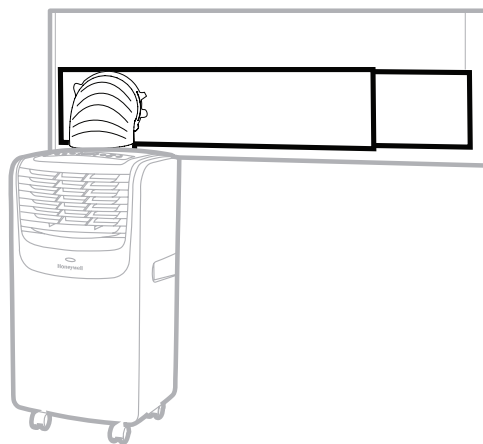
3. Branchez le tuyau d'évacuation au raccord de tuyau situé à l'arrière de l'appareil. Faites glisser dans le raccord de tuyau. Appuyez sur le bouton  pour bloquer le raccord de tuyau en place.



4. Raccorder la patte de fixation pour fenêtre à l'adaptateur pour panneau fenêtre. Veiller à ce que tous les raccords soient serrés et installés comme il se doit.



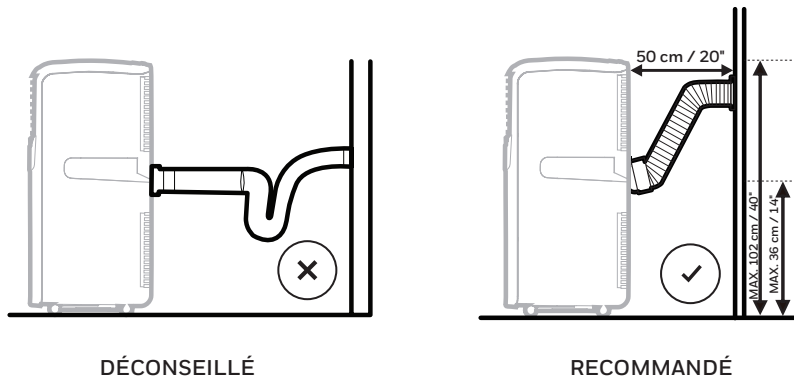
5. Installer le support de fenêtre dans la fenêtre.



6. Le climatiseur portatif est maintenant prêt à être utilisé.

Important:

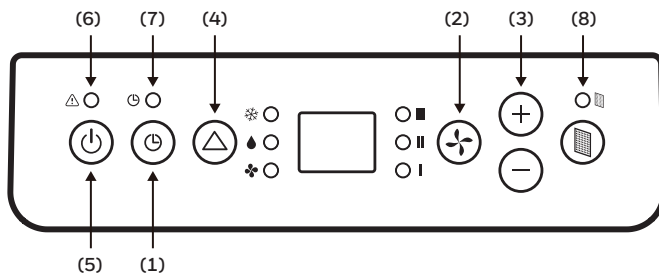
Ne pas le remplacer ni le rallonger, car cela pourrait provoquer le fonctionnement défectueux de l'appareil.



AVERTISSEMENT: Toute garantie visant ce produit sera annulée si un tuyau de rallonge supplémentaire est ajouté au kit d'installation fournie initialement ou si l'installation est effectuée sans suivre les consignes du fabricant et sans consultation appropriée. S'il y a lieu, veuillez communiquer avec le service à la clientèle pour obtenir de l'aide à l'égard des procédures d'installation.

- Le diamètre du tuyau d'évacuation fourni est de 5 po (12,7 cm) et celui-ci peut être déployé de 12 po à 47 inches (30 cm à 120 cm).
- Ne pas plier le tuyau d'évacuation (de la façon illustrée ci-dessous). Un tuyau plié empêchera l'évacuation de l'air et provoquera le fonctionnement défectueux ou l'arrêt de l'appareil.
- Assurez-vous d'une distance minimale de 50 cm / 20 po entre l'arrière de l'appareil et un mur. Ne pas placer l'appareil en face de rideaux ou tentures, car cela pourrait gêner la circulation de l'air.

PANNEAU DE COMMANDE TACTILE



- | | | |
|---|--|------------------------------------|
| 1) Commande de la minuterie | 4) Commande du mode | 7) Voyant lumineux de la minuterie |
| 2) Commande de la vitesse du ventilateur | 5) Interrupteur / Mode Veille | 8) Alerte de filtre |
| 3) Commande de la minuterie / réglage de la température | 6) Voyant d'avertissement (lorsqu'il clignote) | |

TOUCHES DE FONCTION


INTERRUPTEUR

L'interrupteur permet de mettre l'appareil en marche et de l'éteindre. Lorsque l'appareil est branché, mais éteint, la touche de mise en marche reste allumée pour indiquer qu'il est en mode Veille, prêt à être mis en marche.

COMMANDE DE LA MINUTERIE

Une fois l'appareil en marche, appuyer sur la touche de la minuterie, puis sur + ou - pour sélectionner le nombre désiré d'heures de fonctionnement. L'appareil s'arrêtera automatiquement.

ARRÊT AUTOMATIQUE:

Pendant que l'unité est en marche, appuyez sur le bouton de la minuterie  et l'écran va clignoter. Quand l'écran clignotera, appuyer sur le bouton + ou - pour sélectionner le nombre d'heures désirées pour que l'unité s'éteigne automatiquement.

MISE EN MARCHÉ AUTOMATIQUE:

Pendant que l'appareil est en mode attente (branché, avec le voyant allumé), appuyer sur la touche + ou - pour sélectionner le nombre désiré d'heures qui s'écouleront jusqu'à la remise en marche de l'appareil.

TOUCHES DE FONCTION (SUITE)

RÉGLAGE DE LA TEMPÉRATURE/COMMANDE DE MINUTERIE

- Utilisé pour le réglage de la minuterie et du thermostat.
- L'affichage par défaut indique la température ambiante.
- En mode refroidissement, quand la touche + ou - est enfoncée, la température sélectionnée est affichée et peut être réglée. Après 10 secondes, l'affichage revient à la température ambiante. La température est réglable en mode refroidissement seulement. La période de fonctionnement est réglable de 1 à 24 heures.

Remarque: En appuyant sur les touches de réglage + ou - en même temps, l'affichage basculera entre Celsius (°C) et Fahrenheit (°F).

VOYANT

L'eau de condensation peut s'accumuler dans l'appareil. Si l'appareil est utilisé principalement en tant que déshumidificateur, ne pas brancher le tuyau d'évacuation et laisser l'air chaud revenir dans la pièce. La vidange continue est alors requise et plus efficace (se référer à la section VIDANGE CONTINUE).




Après avoir mis le climatiseur hors tension, il convient d'attendre 3 minutes avant de le remettre en marche.

TOUCHES DE FONCTION (SUITE)

COMMANDE DU MODE

Réglages: Refroidissement, déshumidification et ventilation.

Un voyant indique le réglage de la fonction utilisée.

- Mode refroidissement 
Régler la vitesse du ventilateur et la température de l'air de manière à vous sentir à l'aise.
La plage de réglage de la température est de 16°C à 32°C (de 61°F à 89°F).
- Mode déshumidification 
L'air est déshumidifié en circulant dans l'appareil sans qu'il soit réglé en mode refroidissement complet. Si la température ambiante est supérieure à 25°C (77°F) la vitesse du ventilateur peut être réglée; autrement, la vitesse du ventilateur est réglée à FAIBLE.
Remarque: Si l'appareil est utilisé principalement en tant que déshumidificateur, ne pas brancher le tuyau d'évacuation. La vidange continue est alors requise (se référer à la section Vidange continue en mode déshumidification).
- Mode ventilation 
Pour la circulation de l'air sans refroidissement.

COMMANDE DE LA VITESSE DU VENTILATEUR

Ne s'applique qu'aux modèles MO08 Séries: Élevée and faible.

Ne s'applique qu'aux modèles MO10 Séries: Élevée, moyenne et faible.

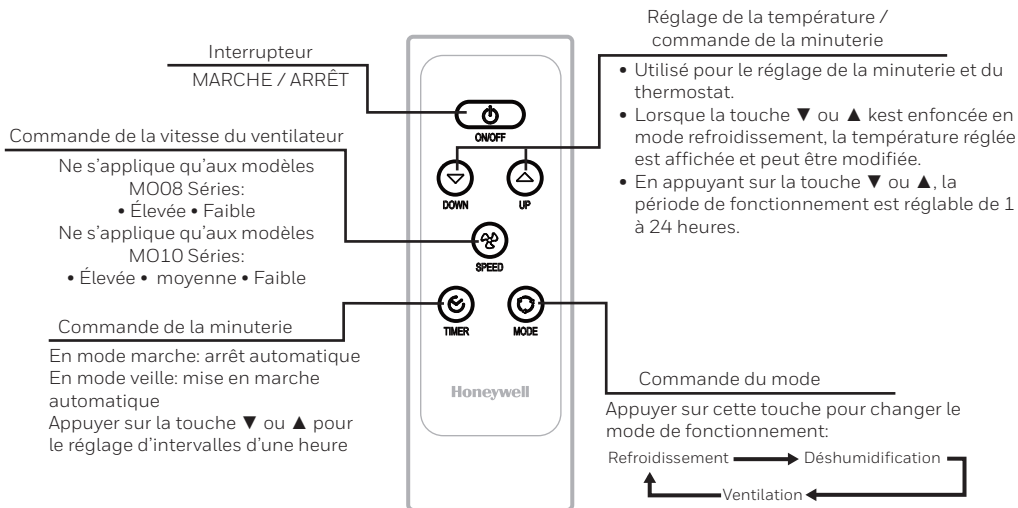
ALERTE DE FILTRE

Lorsque l'alerte de filtre est activée (ON), il est temps de nettoyer le filtre. Réglez le climatiseur en mode arrêt (OFF) et retirez doucement le filtre de l'appareil, puis procédez au nettoyage. Remplacez le filtre et réglez le climatiseur en mode marche (ON).

L'alerte de filtre devrait s'éteindre automatiquement et se rallumer uniquement lors du prochain nettoyage. La fréquence du nettoyage varie selon les conditions environnementales de la pièce. Pour certaines pièces, il faudra procéder au changement du filtre plus souvent.

TÉLÉCOMMANDE

Les fonctions correspondent à celles qui se trouvent sur le panneau de commande du climatiseur portatif. La télécommande permet de régler toutes les principales fonctions.



Remarque:

- Retirer le couvercle au dos de la télécommande et insérer deux piles AAA en les plaçant conformément à l'indicateur de polarité.



Attention:

- Utiliser seulement deux piles AAA ou IEC R03 1,5 V.
- Retirer les piles si la télécommande n'est pas utilisée pendant un mois ou plus.
- Toutes les piles doivent être remplacées en même temps; ne pas mélanger avec des piles déjà utilisées.
- Ne pas mélanger les piles alcalines, standard (zinc-carbone) ou rechargeables (nickel-cadmium).
- Disposer des piles usagées selon les consignes du fabricant.

Énoncé relatif à la Commission des communications fédérales (FCC). Cet appareil est conforme à la section 15 du règlement de la FCC. Le fonctionnement est soumis aux deux conditions suivantes: (1) cet appareil ne doit pas émettre de brouillage nuisible, et (2) cet appareil doit accepter tout brouillage, y compris tout brouillage qui pourrait occasionner un fonctionnement indésirable.

Cet appareil a fait l'objet de tests et il a été trouvé conforme aux limites établies pour un appareil numérique de Classe B comme il est stipulé à la section 15 du règlement de la FCC. Ces limites sont établies pour assurer une protection raisonnable contre le brouillage nuisible dans un environnement résidentiel. Ce matériel génère, utilise et peut émettre de l'énergie de fréquence radio et, s'il n'est pas installé et utilisé conformément aux instructions, il peut provoquer un brouillage nuisible aux communications radio. Cependant, on ne peut garantir que le brouillage n'aura pas lieu dans le cadre d'une installation particulière. Si ce matériel cause un brouillage nuisible de la réception radio ou de la télévision, ce qui peut être déterminé en éteignant et en remettant l'appareil en marche, il est indiqué de remédier à la situation en prenant les mesures suivantes:

- Réorienter ou déplacer l'antenne réceptrice.
- Augmenter la distance entre l'appareil et le récepteur.
- Brancher l'appareil dans une prise de courant sur un circuit différent de celui auquel le récepteur est branché.
- Consulter le revendeur ou un technicien radio/télé expérimenté pour obtenir de l'aide.

Mise en garde de la FCC: Pour assurer la conformité de cet appareil, suivre les consignes d'installation fournies. Tout changement ou toute modification non expressément autorisée par la partie responsable de la conformité risque d'annuler la permission qu'a l'utilisateur de faire fonctionner le présent appareil.

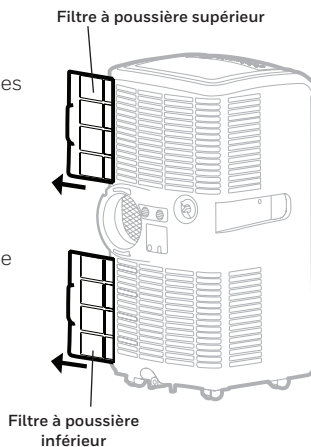
Entretien de l'appareil:

1. Éteindre l'appareil avant de débrancher l'alimentation électrique.
2. Toujours nettoyer l'appareil à l'aide d'un chiffon sec et doux.

Entretien du filtre à poussière:

Le filtre à poussière doit être nettoyé toutes les deux semaines afin de maintenir l'efficacité du refroidissement de l'air. Veuillez suivre les instructions ci-dessous pour le nettoyage des filtres à poussière :

1. Éteindre l'appareil et retirer le filtre à poussière au niveau supérieur et inférieur.
2. Rincer à l'eau tiède. Après le rinçage, laisser sécher le filtre dans un endroit ombragé et frais, puis le réinstaller.



Entretien et entreposage de fin de saison:

Si l'appareil n'est pas utilisé pendant une longue période, Suivez ces étapes:

1. S'assurer de drainer l'eau condensée restante. Retirer le bouchon de vidange inférieur et utiliser un plat peu profond pour recueillir l'eau (s'assurer de remettre le bouchon en place par la suite).
2. Pour éliminer l'excès d'humidité, faire fonctionner l'appareil en mode ventilation pendant 30 minutes avant de le ranger.
3. Éteindre et débrancher le climatiseur.
4. Retirer le filtre et le rincer à l'eau. Après le rinçage, laisser sécher le filtre dans un endroit ombragé et frais, puis le réinstaller.
5. Retirer la trousse d'installation pour la fenêtre:
 - Retirez le tuyau d'échappement de l'unité en appuyant sur le bouton de déverrouillage situé sur le côté droit du tuyau, puis en faisant glisser le tuyau vers la droite.
 - Retirer le support de fenêtre, l'adaptateur du support et le raccord du tuyau.
 - Il est recommandé de ranger les pièces de la trousse de fenêtre dans un sac avec la télécommande et de les placer avec le climatiseur.
 - Si nécessaire, nettoyer la trousse de fenêtre avec un chiffon humide et de l'eau avant de la ranger.
6. Couvrir le climatiseur avec un sac de tissu ou de plastique avant l'entreposage, à l'abri de l'accumulation de poussière et des éraflures sur la surface de l'appareil.
7. Il est recommandé d'enrouler le cordon d'alimentation, et de ne pas le laisser au sol afin d'éviter qu'il soit plié ou autrement endommagé.
8. Entreposer le climatiseur dans un endroit frais et sec, à l'abri de la lumière directe.

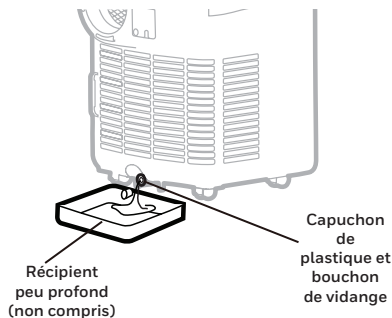
VIDANGE DE L'EAU DE CONDENSATION

En présence d'un excès d'eau de condensation dans l'appareil, la climatisation cesse et un voyant s'allume (la touche de mise en marche s'illumine en rouge et clignote). Ce voyant indique que l'eau de condensation doit être vidangée en procédant comme suit:

Vidange manuelle pour les modes climatisation et déshumidification

Dans les régions où l'humidité est très élevée, la vidange de l'eau peut se révéler nécessaire.

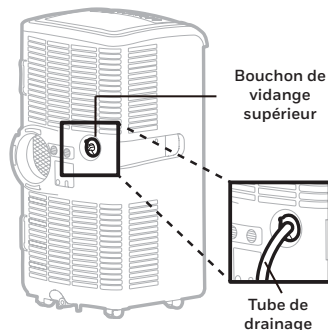
1. Débrancher l'appareil.
2. Placer un récipient peu profond sous le bouchon de vidange. Voir le schéma.
3. Retirer le capuchon de plastique et le bouchon de vidange inférieur.
4. L'eau s'écoulera et s'accumulera dans le récipient.
5. Une fois l'eau vidangée, replacer le bouchon de vidange inférieur solidement.
6. L'appareil peut maintenant être remis en marche.



Vidange continue en mode déshumidification

Lorsque l'appareil est utilisé en mode déshumidification, la vidange continue est recommandée.

1. Débrancher l'appareil.
2. Retirer le bouchon de vidange supérieur.
Ce faisant, de l'eau résiduelle peut se répandre. Il est donc conseillé d'avoir un récipient à portée de main pour recueillir l'eau.
3. Brancher le raccord de vidange à un tuyau de 2cm (0,8po) (non compris). Voir le schéma.
4. L'eau peut être évacuée en continu à travers le tube de vidange dans une terre à drainer ou un seau.
5. Remettre le bouchon en place.
6. L'appareil peut maintenant être remis en marche.



Le guide de dépannage suivant aborde les problèmes les plus courants. Si le problème persiste, appeler le service à la clientèle. Débrancher l'appareil de la prise murale et en retirer le tuyau de plastique fixé à l'arrière avant de tenter de résoudre les problèmes.

PROBLÈME	CAUSSE POSSIBLE	SOLUTION
Il est impossible de mettre l'appareil en marche	Il n'y a pas d'électricité.	Vérifier l'alimentation.
	Les piles de la télécommande doivent être remplacées.	Changer les piles de la télécommande.
	Le cordon d'alimentation n'est pas correctement branché.	Débrancher, puis rebrancher le cordon d'alimentation.
	L'interrupteur de sécurité LCDI s'est déclenché (États-Unis, Canada et Mexico seulement).	Réinitialiser l'interrupteur de sécurité LCDI; si le problème persiste, communiquer avec notre service à la clientèle (États-Unis, Canada et Mexico seulement).
Ne fonctionne que pendant une courte période	Le réglage de la température du thermostat est trop près de la température ambiante.	Abaissier la température réglée.
	La sortie d'air est obstruée.	S'assurer que le tuyau d'évacuation est correctement branché.
	Le tuyau d'évacuation est fortement replié sur lui-même.	Brancher le tuyau d'évacuation selon les consignes à la page 4.

PROBLÈME	CAUSSE POSSIBLE	SOLUTION
Fonctionne, mais sans refroidir	Une porte ou une fenêtre est ouverte.	S'assurer que la fenêtre ou la porte est fermée.
	Le filtre à poussière doit être nettoyé.	Nettoyer le filtre à poussière.
	Le tuyau d'évacuation est détaché.	Réinstaller le tuyau d'évacuation correctement (se référer à la section INSTALLATION).
	Le réglage de la température est trop élevé.	Abaisser la température au moyen du panneau de commande.
	L'entrée ou la sortie d'air est obstruée.	Éliminer l'obstruction.
	La taille de la salle dépasse la taille de salle recommandée.	Déplacer l'unité à une plus petite salle.
	Une grande taille ou le nombre de fenêtre peut diminuer l'efficacité de refroidissement.	Couvrir les fenêtres avec des rideaux ou des stores.
L'appareil refuse de fonctionner et la touche de mise en marche clignote (indiquant que le réservoir d'eau est plein)	Excès d'eau de condensation à l'intérieur du réservoir.	Vidanger l'eau (se référer à la section VIDANGE DE L'EAU DE CONDENSATION).

LEA Y GUARDE ESTAS INSTRUCCIONES

LÉALAS DETENIDAMENTE Y GUÁRDELAS PARA FUTURA REFERENCIA. EN CASO DE EXISTIR ALGUNA DISCREPANCIA O CONFLICTO, EN EL CONTENIDO DE ESTE MATERIAL, ENTRE LA VERSIÓN EN INGLÉS Y LA VERSIÓN EN CUALQUIER OTRO IDIOMA PREVALECE LA VERSIÓN EN INGLÉS.

PRECAUCIÓN:

- Si el cordón de alimentación es dañado, éste debe sustituirse por el fabricante, por su agente de servicio autorizado o por personal calificado con el fin de evitar un peligro.
- NO cubra la entrada de aire y de escape cuando está en uso.
- NO coloque objetos sobre la unidad ni se sienta en la unidad.
- Siempre apague y desconecte la unidad cuando la limpie o repare.
- NO ponga la unidad en funcionamiento si se encuentra dañada o si funciona mal.
- Si es necesario contacte a un agente de servicio autorizado.
- Desconectar la unidad cuando no esté en uso o en reparación.
- NO tire o lleve el aparato por el cable de alimentación.
- NO atorar el cable en la puerta y no tire de ella a lo largo de los bordes o esquinas afiladas.
- NO haga pasar el cable de alimentación debajo de alfombras y tapetes.
- Tenga cuidado para evitar tropezar con el cable.
- NO utilizar el aparato en los siguientes casos:
 - Cerca del fuego
 - En áreas donde haya gasolina, pintura u otros productos flameables almacenados
 - En un área donde se pueda proyectar el agua

SEGURIDAD (CONTINUACIÓN)

- NO operar el aire acondicionado cuando esté mojado.
- Las precauciones básicas de seguridad siempre se deben seguir cuando se utilizan aparatos eléctricos.
- Este producto ha sido fabricado para uso habitacional y no debe ser utilizado para otros propósitos.
- Utilice solo el kit de instalación proporcionado para instalar esta unidad. Utilice solo el kit de instalación proporcionado para instalar esta unidad. NO intente extender la manguera de escape o instalar esta unidad mediante otros métodos que no sean los indicados en este manual. La inapropiada instalación puede anular su garantía.
- NO UTILICE un cable de extensión con esta unidad.
- Este aparato puede ser utilizado por niños de 8 años y mayores y las personas con capacidades físicas, sensoriales o mentales reducidas o falta de experiencia y conocimiento, si se les ha dado la supervisión o instrucciones relativas al uso del aparato de una manera segura y comprenda los peligros involucrado. Los niños no deben jugar con el aparato. La limpieza y mantenimiento del equipo no debe ser hecho por los niños sin supervisión.
- Nunca insertar los dedos o barras en la salida de aire. Tenga especial cuidado para advertir a los niños de estos peligros.

SEGURIDAD (CONTINUACIÓN)

- El fabricante no se hace responsable de los daños causados a las personas o daños a la propiedad debido a incumplimiento de las instrucciones de mantenimiento y el uso indebido del aparato.
- El aparato se instalará de acuerdo con las normas nacionales de cableado.
- Este equipo no se destina para utilizarse por personas (incluyendo niños) cuyas capacidades físicas, sensoriales o mentales sean diferentes o estén reducidas o carezcan de experiencia o conocimiento a menos que dichas personas reciban una supervisión o capacitación para el funcionamiento del aparato.
- Los niños deben ser supervisados para no jugar con el equipo.

Felicidades por la compra de este versátil Aire Acondicionado portátil Honeywell.

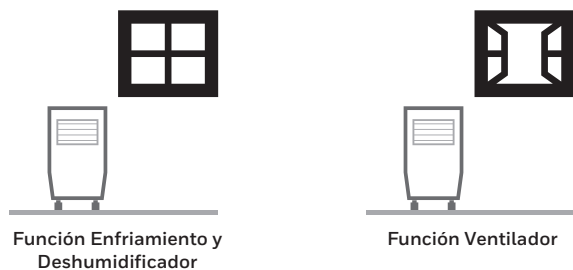
En cuanto a información relativa a la instalación, manipulación, servicio, limpieza y eliminación del aparato, agradeceremos consultar el siguiente párrafo del manual.

USO RECOMENDADO

Los aires acondicionados portátiles Honeywell son ideales para el enfriamiento de lugares. El compresor, condensador y evaporador están alojados dentro de una unidad compacta. El aire es deshumidificado y enfriado mientras una manguera flexible de drenado de aire envía el calor al exterior. Una manguera flexible de salida de aire envía el calor al exterior. Esta unidad incluye un juego de accesorios para ventanas. Los acondicionadores local de aire portátiles le ofrecen una solución flexible para el acondicionamiento de aire.

Sistema de auto evaporación - La unidad evapora automáticamente la humedad condensada a través de la manguera de drenado de aire. No hay necesidad de vaciar el tanque de drenaje. Lea cuidadosamente estas instrucciones.

Para asegurar una eficiencia óptima del producto, recomendamos mantener las puertas y ventanas cerradas cuando esté en operación como acondicionador local de aire o deshumidificador. Si el producto se usa tan sólo con la función de ventilador, coloque la unidad cerca de una ventana abierta, de manera que la unidad pueda atraer el aire exterior, y el aire que circula en la habitación salga por la puerta.

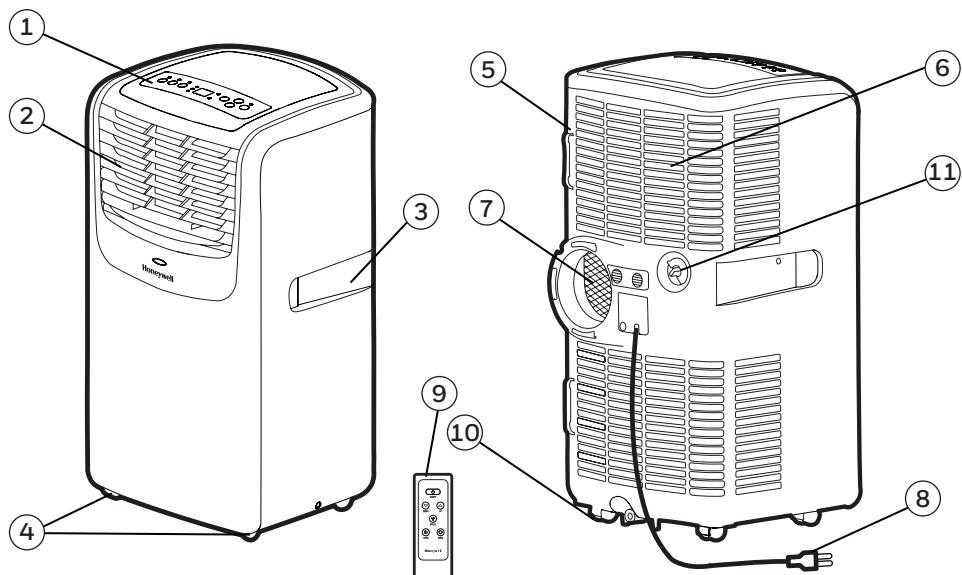


Importante:

Después de transportarlo, coloque la unidad en posición vertical para permitir que el refrigerante se estabilice y espere 1 hora antes de usarlo. Ajuste manualmente la ventila de aire localizada en la frente de la unidad, para ajustar la dirección del flujo de aire.

- Siga las instrucciones de instalación para configurar su unidad.
- Conecte la unidad a un circuito conectado adecuadamente a tierra.
No conectar a un cable con extensión.

DESCRIPCIÓN DE PARTES



1) Panel de Control
(Incluye Receptor de Señal)

2) Salida de Aire

3) Manija

4) Ruedas

5) Filtro de Polvo

6) Grilla Trasera

7) Conector de la Manguera

8) Cable de Corriente Eléctrica

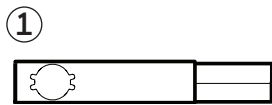
9) Control Remoto

10) Tapón de Drenaje Inferior con tapa de Plástico (Modo Aire Acondicionado)

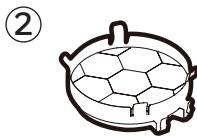
11) Tapón de Drenaje Superior (Modo Deshumidificador)

INSTALACIÓN

Es importante que las instrucciones de instalación se sigan para la correcta instalación de este aire acondicionado portátil. Por favor llamar al Centro de Atención a Clientes si usted tiene cualquier dificultad o duda con respecto a estos procedimientos de instalación.



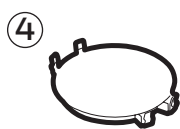
x1



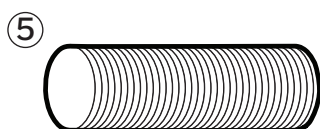
x1



x1



x1



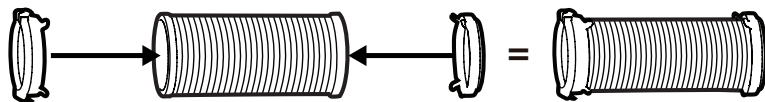
x1

Kit de Instalación:

- | | | | |
|---|-----------|--------------------------------|-----------|
| 1. Equipo Deslizante para Ventana(1 Juego) / Puerta | | 4. Tapa para Orificio | (1 Pieza) |
| 2. Adaptador para Panel de Ventana | (1 Pieza) | 5. Manguera de Drenado de Aire | (1 Pieza) |
| 3. Conector de Manguera | (1 Pieza) | | |

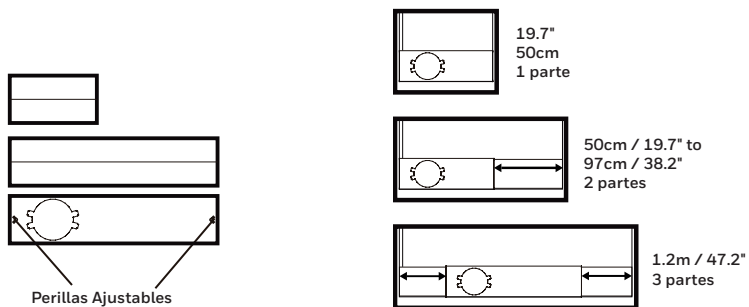
Pasos de la Instalación:

1. Instalar la manguera de drenado de aire con el conector de pared y el conector de manguera de ambos lados. Asegurar un ajuste apropiado en ambos extremos.




INSTALACIÓN (CONTINUACIÓN)

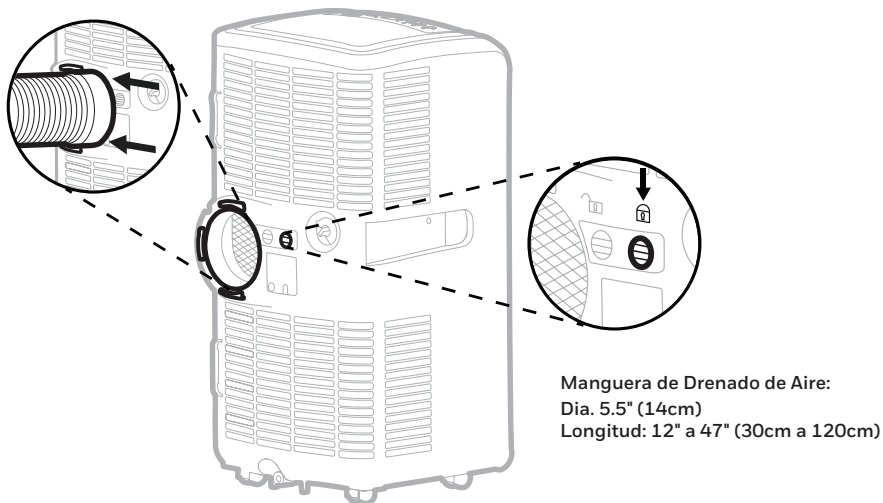
2. Son tres soportes de ventana de 50 cm / 19,7" cada uno, aproximadamente, que le permitirá instalar su aire portátil en ventanas, ventanas balcón y puertas de diferentes alturas o ancho.



Para instalar el adaptador de ventana al marco de la ventana, es necesario ajustar la altura o ancho del adaptador de ventana extendiéndolo según el alto o ancho de la ventana. Cuando haya ajustado el perfil para que coincida con el ancho o alto del marco apriete los tornillos tipo mariposa preinstalados en el perfil para asegurar el perfil en la posición deseada. Utilice una o las dos piezas según su necesidad.

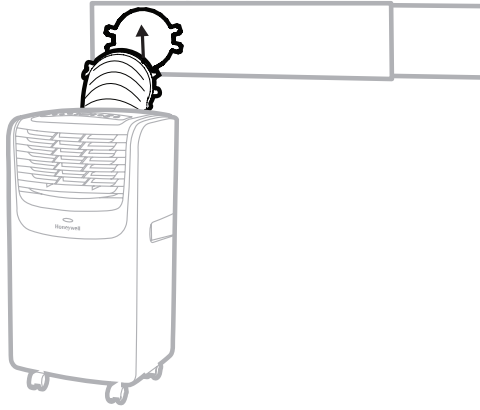
Nota: Después de ajustar el Adaptador de Soporte De Ventana al tamaño de su ventana removerlo de la misma y seguir las siguientes instrucciones.

3. Conecte el Manguera de Drenado de Aire en la parte posterior de la unidad. Introduzca el Conector de Manguera. Presione el botón  para asegurar el Conector de Manguera.

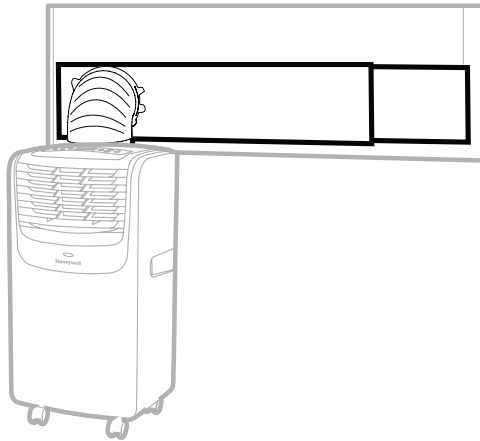


INSTALACIÓN (CONTINUACIÓN)

4. Conecte el Equipo Deslizante para Ventana al Adaptador para Panel de Ventana. Asegúrese de que las conexiones estén apretadas y correctamente instaladas.



5. Conectar el anaquel de ventana a su ventana.

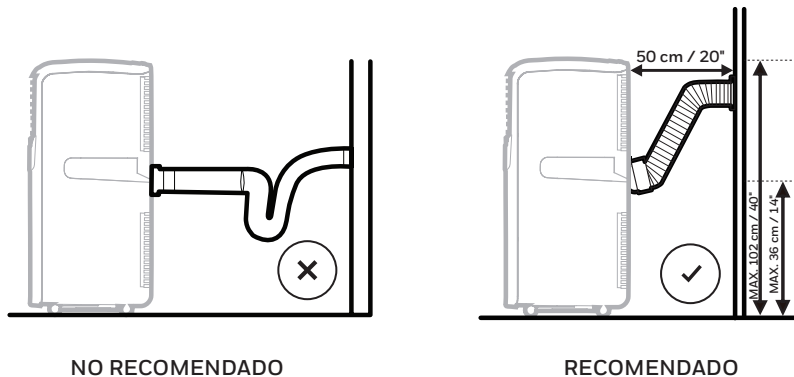


6. Su Aire acondicionado portátil está listo para usarse.

INSTALACIÓN (CONTINUACIÓN)

IMPORTANTE:

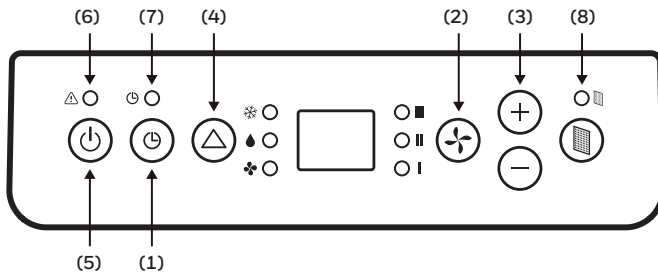
No reemplazar o alargar la manguera de drenado de aire ya que esto podría provocar un malfuncionamiento de la unidad.



ADVERTENCIA: Cualquier garantía que se incluya con este producto será anulada si una manguera de extensión se añade al kit de instalación suministrado originalmente o si la instalación se realiza de manera diferente a las instrucciones del fabricante, sin la debida consulta. Póngase en contacto con el Centro de Atención al Cliente en caso necesario, para obtener ayuda con los procedimientos de instalación correctos.

- La manguera de salida proporcionada tiene un diámetro de 5 in (12.7 cm) y puede ser extendida de 12 in a 47 in (30 cm a 120 cm).
- No doblar (como se muestra abajo) la manguera de drenado de aire. Una manguera doblada bloqueará el aire de salida y ocasionará que la unidad se apague inmediatamente.
- Asegúrese que la parte trasera de la unidad esté a al menos 50 cm / 20" de distancia de la pared.

PANEL DE CONTROL



- | | | |
|---|---|-------------------------|
| 1) Control del Temporizador | 4) Control de Modo | 7) Luz del Temporizador |
| 2) Control de Velocidad | 5) Control de Energía / Modo en Espera | 8) Alerta del Filtro |
| 3) Ajuste de Temperatura / Temporizador | 6) Luz de Advertencia (Cuando Parpadea) | |

BOTONES DE FUNCIONES


CONTROL DE ENERGÍA

El control de encendido enciende y apaga la unidad. Cuando la unidad está enchufada pero apagada, el control de encendido permanece iluminado para indicar que está en modo de espera, lista para ser activada en cualquier momento.

AJUSTE DE TEMPORIZADOR

Con la máquina en el modo de ejecución, pulse el botón del temporizador y pulse el botón + o - para seleccionar el número de horas que desea que la unidad funcione. La unidad se apagará automáticamente.

APAGADO AUTOMÁTICO:

Mientras la unidad esté funcionando, presionar el botón  y el display parpadeará. Mientras el display esté parpadeando, presionar el botón + o - para seleccionar el número de horas que desee. La unidad se apagará automáticamente transcurrido este tiempo.

ENCENDIDO AUTOMÁTICO:

Con la máquina en modo de espera (Enchufado con la luz piloto encendida), presione el botón + o - para seleccionar el número de horas hasta que la unidad se inicie automáticamente en funcionamiento.

BOTONES DE FUNCIONES (CONTINUACIÓN)

AJUSTE DE TEMPERATURA / TEMPORIZADOR

- Se usan para ajustar el temporizador y termostato.
- El valor predeterminado es la temperatura ambiente.
- En Modo de Enfriamiento, cuando el botón + o - se presiona, la temperatura configurada se despliega y puede ajustarse. Después de 10 segundos, la pantalla regresará a la temperatura ambiente. La temperatura sólo es ajustable en el modo Frío. El tiempo es ajustable entre 1 y 24 horas.

Nota: Al presionar ambos botones + o - al mismo tiempo, la pantalla alternará entre el valor en grados Celsius y Fahrenheit.

LUZ DE ADVERTENCIA

La humedad condensada en agua puede acumularse en la unidad.

Si el tanque interno se llena, la luz de encendido parpadea y la unidad no funcionará hasta que el agua haya sido drenada (consulte el Drenado de Agua).




Después de apagar el aire acondicionado, debe esperar 3 minutos antes de encenderlo de nuevo.

BOTONES DE FUNCIONES (CONTINUACIÓN)

CONTROL DE MODO

Configuraciones: Aire Acondicionado, Deshumidificación, Ventilación.

La luz indicadora correspondiente se iluminará para indicar el ajuste del modo actual.

- Modo Aire Acondicionado 
Ajuste la velocidad del ventilador y la temperatura del aire para adaptarse a su nivel de confort deseado. El rango de temperatura ambiente es de 16°C - 32°C (61°F - 89°F).
- Modo de Deshumidificación 
El aire se deshumidifica a medida que pasa a través de la unidad, sin estar en modo de enfriamiento total. Si la temperatura ambiente es superior a 25°C (77°F) velocidad del ventilador se puede ajustar, de lo contrario la velocidad del ventilador está preajustado BAJA.
Nota: Si la unidad será utilizada principalmente como deshumidificador, no conectar la manguera de drenado de aire. El drenaje continuo es entonces necesario (Veáse Drenaje Continuo para Modo Deshumidificador).
- Modo de Ventilación 
Para la circulación de aire sin enfriar.

CONTROL DE VELOCIDAD

Aplicable para modelos MO08 Serie: Alta y Baja

Aplicable para modelos MO10 Serie: Alta, Media y Baja

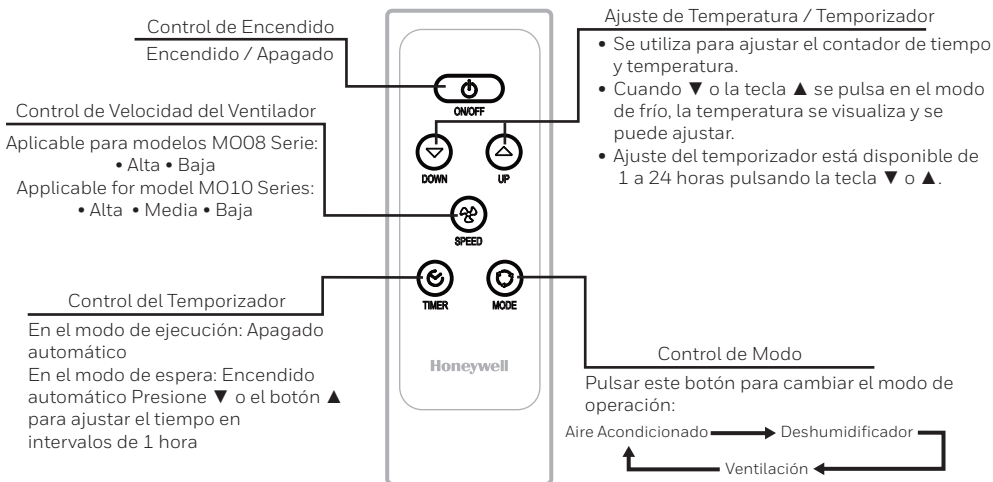
ALERTA DEL FILTRO

Cuando la luz de alerta de filtro está encendida, es hora de limpiar el filtro. Apagar su aire acondicionado y retirar cuidadosamente el filtro de la unidad y limpiarlo. Reemplazar el filtro y encender el aire acondicionado.

La luz de alerta de filtro no debe iluminarse hasta que el filtro requiera limpieza nuevamente. La frecuencia de limpieza del filtro dependerá de las condiciones del ambiente de la habitación. Algunas habitaciones pueden requerir cambios con más frecuencia que otras.

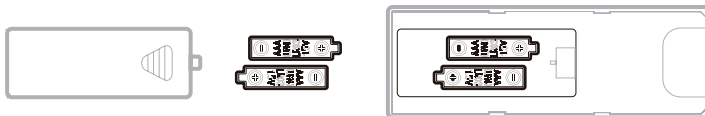
CONTROL REMOTO

Las funciones trabajan igual que los controles del aire acondicionado portátil. Todas las funciones de las teclas se puede acceder desde el control remoto.



Nota:

- Instalación de Baterías: quite la cubierta en la parte trasera del control remoto e inserte dos baterías AAA con los polos "+" y "-" apuntando a la dirección correcta.



Precaución:

- Use sólo dos baterías AAA ó IEC R03 1,5V.
- Retire las baterías si el control remoto no se va a utilizar por más de un mes.
- Todas las baterías deben reemplazarse al mismo tiempo, no mezclar con baterías viejas.
- No mezcle pilas alcalinas, estándar (zinc-carbón) o recargables (níquel-cadmio).
- Deshágase de las baterías usadas.

Este dispositivo cumple con la parte 15 de las reglas de la FCC. La utilización del dispositivo está sujeta a dos condiciones: 1. Este dispositivo no provoca ninguna interferencia perjudicial. 2. Este dispositivo aceptará cualquier interferencia que reciba, incluyendo aquellas que provoquen una operación no deseada.

Se ha probado el equipo y cumple con las condiciones establecidas para dispositivos digitales de clase B por la parte 15 de las reglas de la FCC. Estas condiciones se han establecido con el objetivo de proteger instalaciones residenciales de interferencias peligrosas. Este equipo genera, utiliza y puede emitir energía de frecuencia de radio y, si no se instala y utiliza de acuerdo con las instrucciones, puede provocar interferencias peligrosas en las comunicaciones de radio; sin embargo, no existe garantía alguna de que la interferencia no tenga lugar en una instalación en concreto. Si este equipo provoca interferencia perjudicial en la recepción de radio o televisión, hecho que puede comprobarse apagando y encendiendo el equipo, el usuario tendrá que corregir la interferencia tomando una o varias de las medidas que se detallan a continuación:

- Volver a orientar o colocar la antena receptora.
- Aumentar la separación existente entre el equipo y el receptor.
- Conectar el equipo en un enchufe diferente al que estaba el receptor conectado.
- Consultar al distribuidor o solicitar la ayuda de un técnico especialista en radio y televisión.

Precaución: Se requiere la utilización de cable apantallado para cumplir con los límites de clase B especificados en la subparte B de la parte 15 de las reglas de la FCC. No realice cambios ni modificaciones al equipo a menos que estén especificados en el manual. Si realiza tales cambios o modificaciones, se le puede exigir que pare con la utilización del equipo.

Mantenimiento de la unidad:

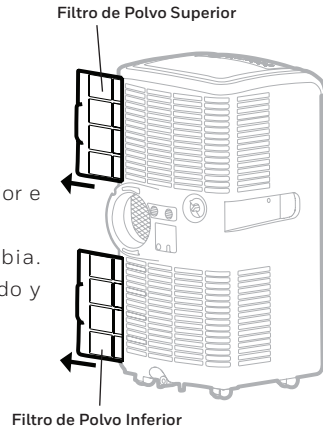
1. Apague la unidad antes de desconectarla de la toma de corriente eléctrica.
2. Limpie con un lienzo suave y seco.

Mantenimiento para el Filtro de Polvo:

El filtro de polvo debe limpiarse cada dos semanas para mantener la eficiencia de la refrigeración del aire.

Por favor, siga las siguientes instrucciones para limpiar los filtros de polvo:

1. Apagar el equipo y remover los filtros de polvo superior e inferior.
2. Lave con una solución de detergente en agua tibia. Después de limpiarlo, séquelo en un lugar sombreado y fresco, después reinstale.



Almacenamiento y Mantenimiento al Terminar la Temporada:

Si la unidad no se usará por un periodo prolongado de tiempo:

1. Asegúrese de drenar la condensación del agua sobrante. Retire el tapón de drenaje inferior y utilizar una bandeja de poca altura para recoger el agua (asegúrese de colocar el tapón de drenaje cuando termine).
2. Para secar el exceso de humedad, haga funcionar la unidad en modo de sólo ventilador durante
3. 30 minutos antes de guardarla.
Apague y desconecte el acondicionador de aire de la toma de corriente eléctrica.
4. Quite el filtro de aire y limpie con agua. Seque el filtro de aire y vuelva a instalarlo en la unidad.
5. Desconexión del kit de instalación para Ventana:
 - Retirar la manguera de escape de la unidad presionando el botón de liberación ubicado en el lado derecho de la manguera y luego deslizar la manguera hacia el lado derecho.
 - Retire el soporte de ventana, el adaptador del soporte de ventana y la manguera de conexión.
 - Se recomienda almacenar las piezas del kit de ventana en una bolsa junto con el control remoto y colocarlos junto con la unidad de aire acondicionado.
 - Si es necesario, puede limpiar el Kit de ventana con un paño húmedo y agua antes de guardarla. Asegúrese de que todas las partes del kit de ventana estén secas antes de guardarlas.
6. Cubra la unidad de aire acondicionado con una bolsa de tela / plástico antes de su almacenamiento, para proteger del polvo y rayones en la superficie de la unidad.
7. Se recomienda enrollar el cable de alimentación y almacenarlo lejos del piso para asegurarse de que el cable esté protegido de inclinaciones y pliegues.
8. Colocar su aire acondicionado en un lugar seco y fresco, lejos de la luz directa.

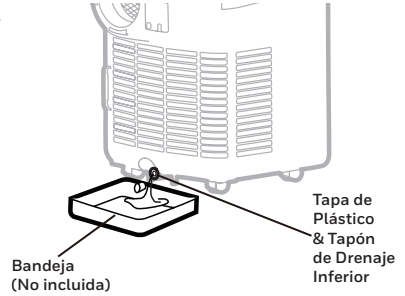
DRENADO DE AGUA

Cuando la unidad tiene un exceso de agua de condensación dentro de la unidad, el equipo dejará de funcionar y mostrara una luz de advertencia. (el boton de encendido parpadeará con una luz roja) Este error indicará que el agua necesita ser drenada de acuerdo a algunos de los métodos:

Drenaje Manual para Modo AC y Deshumidificador

Es necesario drenar el agua en ares de muy alta humedad.

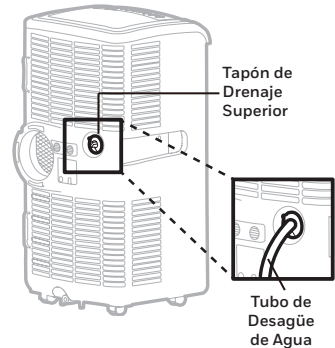
1. Desconecte la unidad de la corriente eléctrica
2. Coloque una bandeja de poca altura debajo del tapón de drenaje. Vea el diagrama.
3. Remover la el tapón e drenaje inferior.
4. El agua drenada se acumula en la bandeja.
5. Después de que el agua es drenada, cierre la tapa firmemente.
6. Ahora puede encender la unidad.



Drenaje Continuo para Modo Deshumidificador

Mientras utiliza la unidad en el modo deshumidificador, el drenaje continuo es recomendado.

1. Desconecte la unidad de la toma de corriente eléctrica.
2. Retire el tapón de drenaje superior.
Mientras se hace esta operación se genera algún derramamiento de agua, así que por favor tenga un recipiente para recoger el agua. Vea el diagrama.
3. Instalar el conector con $\frac{3}{4}$ " de manguera (manguera no es incluida).
4. El agua se puede drenar continuamente a través del manguera de drenaje en un desagüe en el suelo o cubo.
5. Colocar el tapón de drenaje.
6. Ahora puede encender la unidad.



La siguiente guía solución de problemas aborda los problemas más comunes. Si los problemas persisten, llame a servicio al cliente. Desconecte el aparato de la corriente eléctrica antes de intentar reparar cualquier problema.

PROBLEMA	POSIBLE CAUSA	SOLUCIÓN
El equipo de aire acondicionado no opera	No hay electricidad.	Revisar la corriente eléctrica.
	Las baterías en el control remoto están agotadas.	Cambie las baterías del control remoto.
	El cable eléctrico no está conectado correctamente.	Desconecte y reconecte el cable de alimentación.
	El dispositivo de seguridad en la clavija LCDI se ha roto (USA / CANADA / MEXICO solamente).	Resetear el dispositivo protector, si el problema persiste contactar al servicio al cliente (USA / CANADA / MEXICO solamente).
La unidad funciona solo por un corto tiempo	La temperatura seleccionada está demasiado cerca de la temperatura ambiente.	Baje la temperatura seleccionada.
	La salida de aire está bloqueada por un obstáculo.	Revise que la salida de aire no esté obstruida por ningún obstáculo.
	Hay codos que estrangulan la manguera de salida de aire.	Conecte la manguera de escape de acuerdo con instrucciones en página 4.

PROBLEMA	POSIBLE CAUSA	SOLUCIÓN
Funciona pero no enfría	Una puerta o ventana está abierta.	Cerrar cualquier puerta o ventana que se encuentre abierta.
	El filtro de polvo está sucio.	Conectar la manguera de polvo.
	La manguera de drenado de aire está desconectada.	Reinstalar la manguera de drenado de aire adecuadamente (consulte la Instalación sección).
	La temperatura configurada es demasiado alta.	Reducir la temperatura en el panel de control.
	La salida o entrada de aire están bloqueadas.	Revisar que entre y salga suficiente aire en el equipo.
	Habitación excede el tamaño recomendado.	Mover la unidad a un cuarto más pequeño.
	El tamaño o número de ventanas grandes disminuirán la eficacia del enfriamiento.	Cubrir las ventanas con cortinas o persinas.
El equipo no funciona y botón de encendido está parpadeando (Indicador de agua lleno)	El tanque adentro de la unidad está lleno.	Drene el agua (consulte la Drenado de Agua).

ES

Hecho en China
© 2018 JMATEK Limited. Todos los derechos reservados.
La marca Honeywell es usada bajo licencia de Honeywell International Inc. Honeywell International Inc. no representa ni garantiza este producto.
Este producto es fabricado por Airtek Int'l Corp. Ltd. (subsidiaria de JMATEK Limited).

FR

Fabriqué en Chine
© 2018 JMATEK Limited. Tous droits réservés.
La marque déposée Honeywell est utilisée en vertu d'une licence de Honeywell International inc.
Honeywell International inc. ne fait aucune déclaration et ne donne aucune garantie à l'égard de ce produit.
Ce produit est fabriqué par Airtek Int'l Corp. Itée (une filiale de JMATEK Limited).

EN

Made in China
© 2018 JMATEK Limited. All rights reserved.
The Honeywell Trademark is used under license from Honeywell International Inc.
Honeywell International Inc. makes no representations or warranties with respect to this product.
This product is manufactured by Airtek Int'l Corp. Ltd. (subsidiary of JMATEK Ltd.).

JMATEK North America LLC
Mahwah, New Jersey 07495 USA
Email: usinfo@jmatek.com
Web: www.jmatek.com

Honeywell